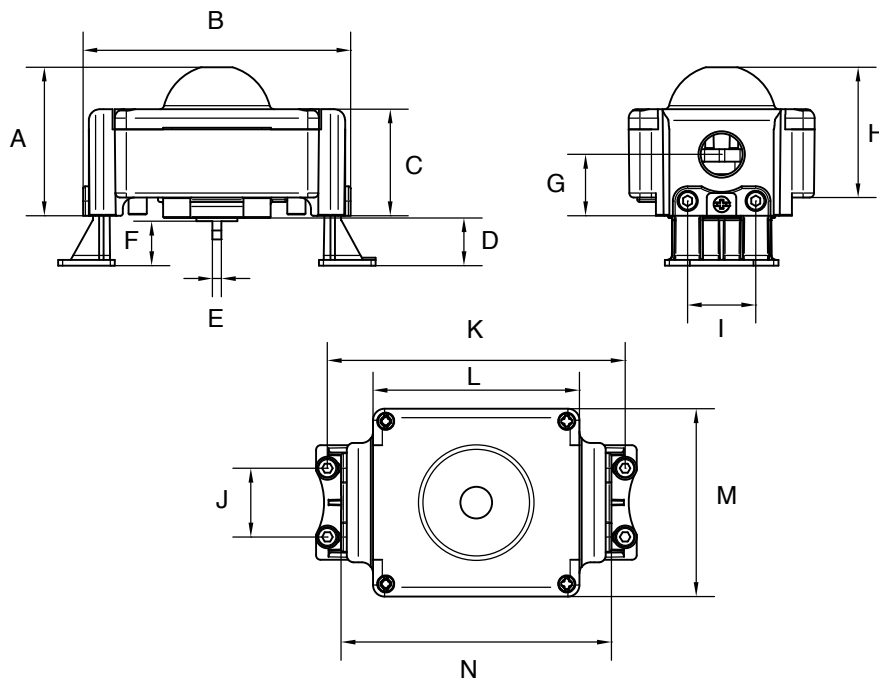




## SERIES 0390000171

### IP65 LIMIT SWITCH

- IP65 conforming to CE.
- Compact limit switch box for industrial, water treatment and light duty applications.
- Adjustable namur mounting pad.
- (2) single pole double throw (SPDT) limit switches.
- Switch contact rating: 5A @ 100-240V AC; 3A @ 24V DC.
- Temperature range: -15°C (5°F) to 80°C (176°F).
- Cable entry: M20 x 1.5" (ISO to NPT adapters available).



A	B	C	D	E	F	G	H	I	J	K	L	M	N
2.63	4.63	1.88	0.88	0.13	0.75	1.13	2.25	1.13	1.13	5.13	3.50	3.75	4.63

#### APPROVALS

##### ATEX, EAC, CCOE:

Ex II 2GD Ex ia IIC T4/T5/T6  
Ex ia IIIB T 44°C - T108°C Db IP6\*  
Ta: -20°C ≤ Ta ≤ 80°C

##### SIL CERTIFICATE

Up to SIL 2 certified TÜV

##### TEMPERATURE:

-20 to +80°C (-4° to +176°F)  
standard temperature range

##### PROTECTION RATING

IP65,  
IP67 (on request)  
Nema 4 4X (on request)



MODEL	DESCRIPTION	SUFFIX	US\$
0390000171	IP65 mechanical SPDT limit switch for models 52 thru 270	LS	139.00