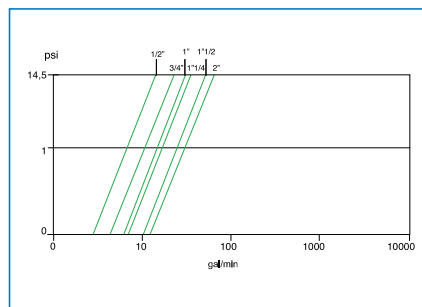
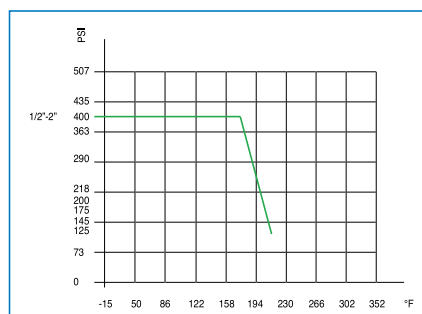
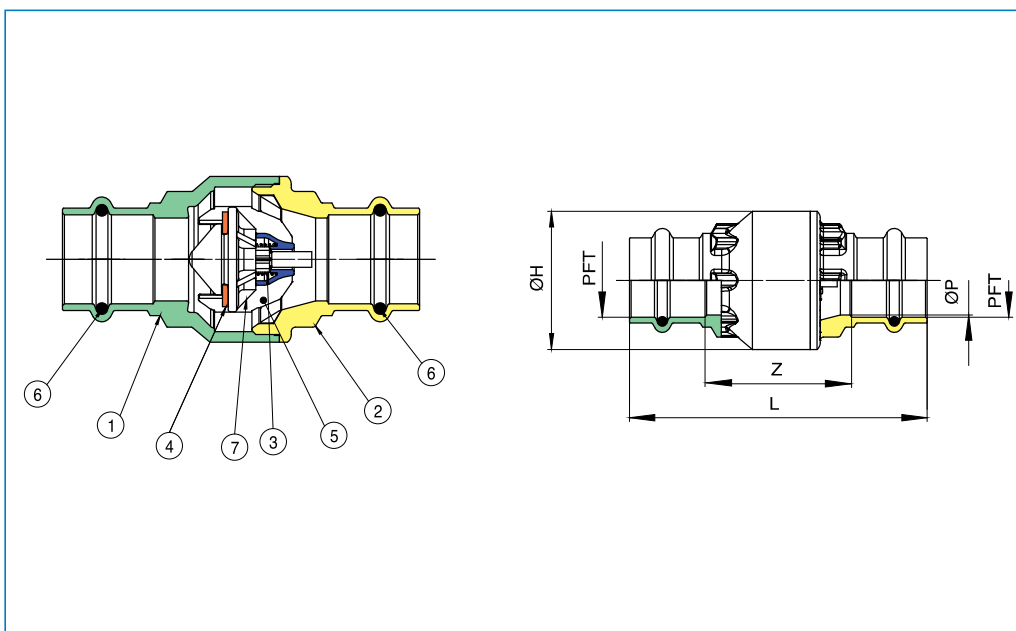


# SERIES 100612 LF PRESS CHECK VALVE

High flow rate, lead free brass, EURO-PRESS connections, in-line spring loaded check valve.

- Pressure rating size 1/2" - 2" 400 WOG.
- Low cracking pressure 1/2 psi.
- Wide temperature range: -4°F to 210°F.
- Soft seat for bubble tight shutoff, spring loaded for fast seating action.
- Flow profile designed to minimize head loss.
- Perfect sealing both at high and low pressure.
- High technology materials to ensure the best corrosion resistance for any water application.
- Press alert O-rings.

100612 LF: size 1/2" to 2".



N POS	PART NAME	MATERIAL	N PCS
1	BODY	LF DZR BRASS C27453*	1
2	END CONNECTION	LF DZR BRASS C27453*	1
3	SPRING	AISI 302	1
4	SEAT	NBR	1
5	SUPPORT	POM	1
6	O-RING	EPDM PEROX	2
7	DISC	POLYPHENYLENE SULFIDE	1

SIZE	ØP	Z	L	ØH	Cv	MAX WORK PRESS (psi)	MAX TEST PRESS (psi)	Weight (Lbs)
1/2"	0.59	1.50	2.99	1.36	9.36	200	400	0.31
3/4"	0.79	1.67	3.56	1.65	16.30	200	400	0.52
1"	0.98	1.93	3.94	1.93	24.16	200	400	0.80
1 1/4"	1.26	1.95	4.09	2.40	35.84	200	400	1.16
1 1/2"	1.57	1.95	4.96	2.87	51.90	200	400	1.77
2"	1.97	2.38	5.57	3.44	82.19	200	400	2.77

\* Lead free refers to the wetted surface of pipe, fittings and fixtures in potable water systems that have a weighted average lead content not more than 0,25%. Source: California health & Safety code (116875), Vermont Act 193.

**WARNING:** This product can expose you to chemicals including lead, which is known to the State of California to cause cancer and birth defects or other reproductive harm. For more information go to [www.p65warnings.ca.gov](http://www.p65warnings.ca.gov).

