



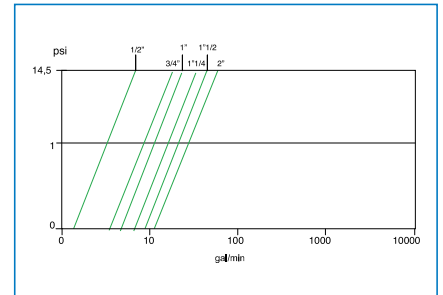
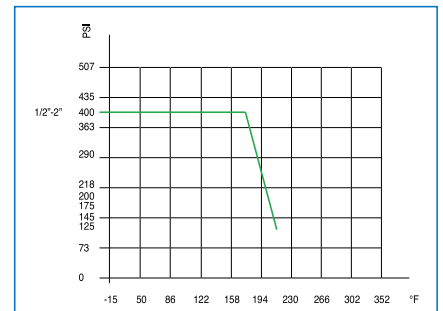
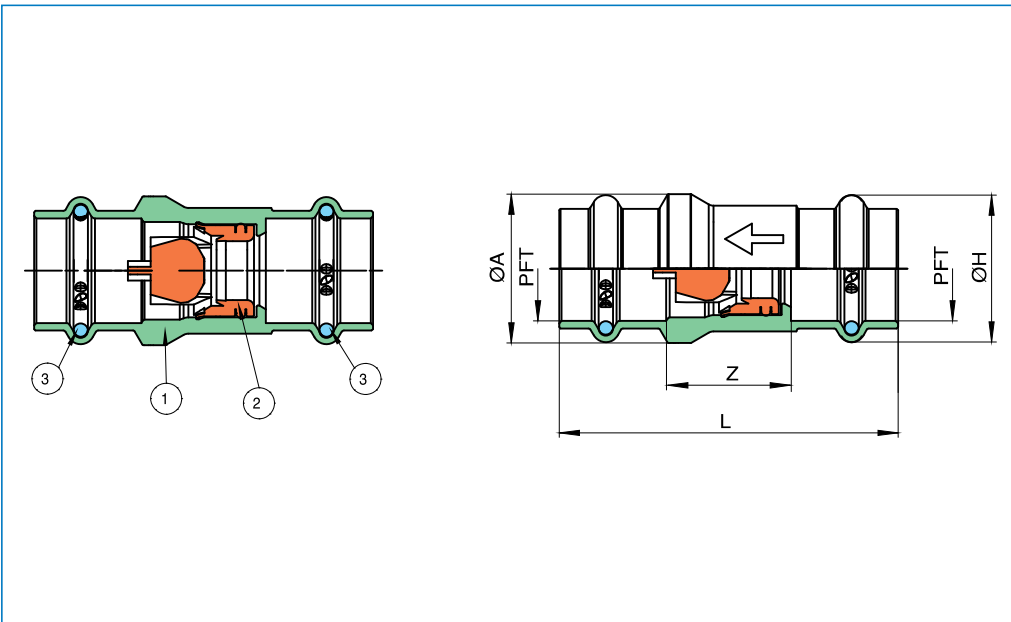
SERIES 100622 LF PRESS CHECK VALVE



HEALTH EFFECTS US-CA
NSF 372
NSF 61

Unibody check valve, high flow rate, lead free brass, EUROPRESS connections, in-line spring loaded check valve.

- Pressure rating size 200 WOG.
 - Low cracking pressure 1/2 psi.
 - Wide temperature range: -4°F to 210°F.
 - Soft seat for bubble tight shutoff, spring loaded for fast seating action.
 - Flow pattern to minimize head loss.
 - Perfect sealing both at high and low pressure.
 - High technology materials to ensure best resistance in any condition.
- 100622 LF: size 1/2" to 2".



N POS	PART NAME	MATERIAL	N PCS	SIZE	Z	L	ØH	Ch	Cv	psi	Weight (Lbs)
1	BODY	LF DZR BRASS C27453*	1	1/2"	0.81	2.22	0.96	-	5.32	200	0.17
				3/4"	1.06	2.87	1.24	-	10.17	200	0.31
2	CHECK VALVE	POM	1	1"	1.28	3.17	1.50	-	17.34	200	0.49
				1 1/4"	1.59	3.64	-	1.89	25.43	200	0.71
3	O-RING	EPDM	2	1 1/2"	1.59	4.43	-	2.13	36.99	200	1.25
				2"	2.20	5.35	-	2.64	63.58	200	1.95

* Lead free refers to the wetted surface of pipe, fittings and fixtures in potable water systems that have a weighted average lead content not more than 0.25%. Source: California health & Safety code (116875). Vermont Act 193.

WARNING: This product can expose you to chemicals including lead, which is known to the State of California to cause cancer and birth defects or other reproductive harm. For more information go to www.p65warnings.ca.gov.

