



JOB NAME:	CONTRACTOR:
JOB LOCATION:	APPROVAL:
ENGINEER:	CONTRACTOR P.O.:
APPROVAL:	REPRESENTATIVE:

8E064LF-00 *

250NLF DIRECT MOUNT, 2-WAY LEAD-FREE BRASS, FULL PORT BALL VALVE W ELECTRIC ACTUATOR SIZES 1/2" TO 2"

*001 12V AC/DC	*002 24V AC/DC	*003 100-240V AC
01 BATTERY BACKUP	*02* POSITIONER	*04* BATTERY BACKUP W POSITIONER

SPECIFICATIONS

The 8E064 Series is a light industrial package featuring a NEMA 4,4X VB series electric actuator directly coupled to a low torque, 600 psi, full port 250NLF lead-free ball valve. This series package can be installed either vertically, or horizontally due to the light weight of the actuator and direct mounting to the ball valve.

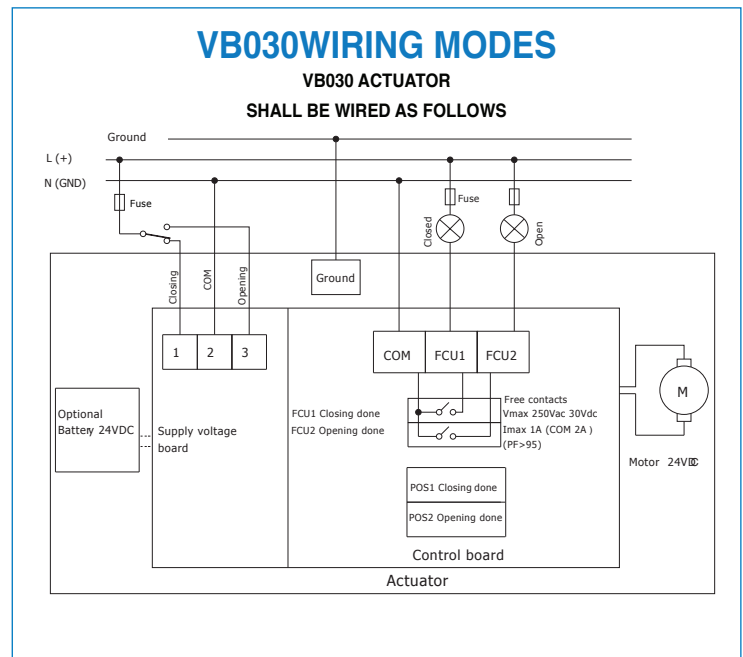
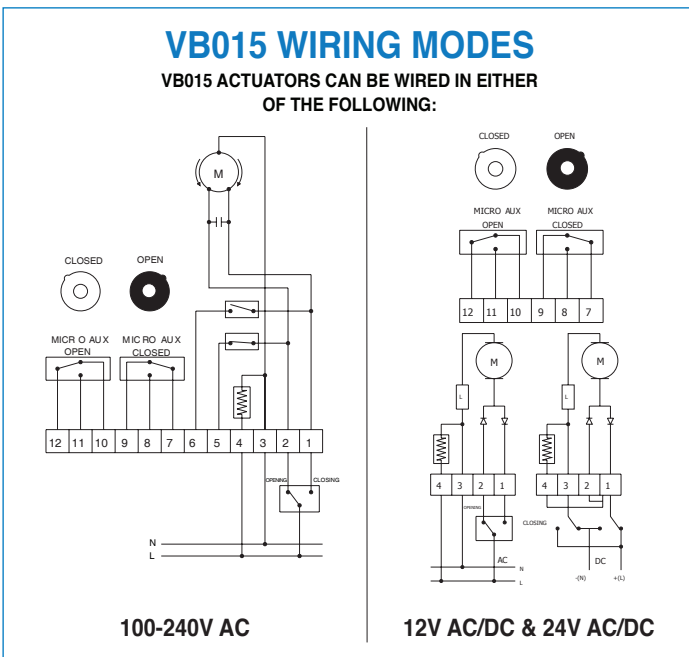
This lead free ball valve with its double O-ring, self-temperature adjustment sealing allows high-cycle life and zero stem packing adjustment is required. The valve is also approved under the NSF standard 61/372 for potable water use. The VB actuator also features a 75% duty cycle, U.L. certified motor, with two additional limit switches, a heater and thermostat, all contained in a technopolymer housing

ACTUATOR FEATURES

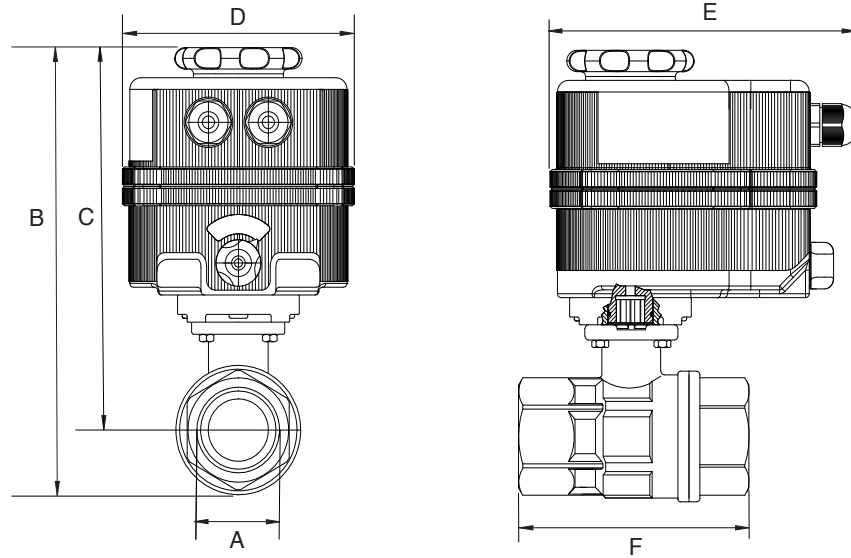
- NEMA 4, 4X Housing
- 12V/24V AC/DC and 100-240V AC Models Available
- ISO 5211, F03/F05 base with 11mm female drive
- VB015 -12/24V AC - 50% Duty Cycle
- VB030 - 12/24V DC and 100-240V AC - 75% Duty Cycle
- High-Strength, Impact Resistant IP67 Technopolymer Housing
- Temperature Range -4°F to 131°F
- PG11 Electrical Connection/Optional
- 1/2" Conduit

VALVE FEATURES

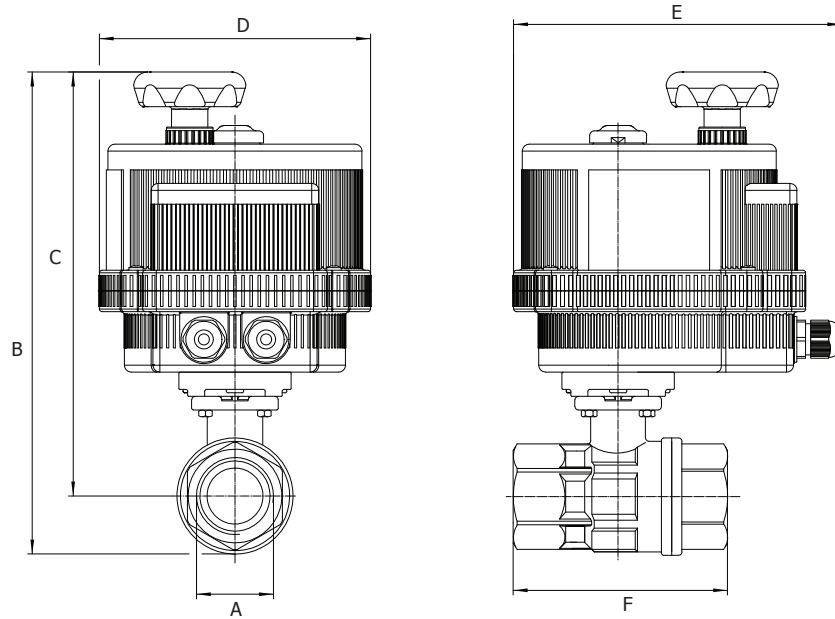
- Lead-Free Brass
- Full Port, Sizes 1/2" to 2"
- ISO 5211 pad and square stem
- Pressure rating to 600 WOG
- Temperature range -4°F to 366°F
- Low torque design with back up o-ring seats
- Double o-ring stem seal design for extended cycle life
- 100% electronically tested in the open and closed position@80 Psi
- NSF 61/372



VB015
SIZES 1/2"
THROUGH 1-1/4"



**VB030-
VB110**
SIZES 1-1/2"
THROUGH 2"



Size	A	B	C	D	E	F	ACT.
1/2"	.500	7.51	6.85	4.84	6.41	2.64	VB015
3/4"	.750	7.72	6.93	4.84	6.41	3.00	VB015
1"	1.00	8.33	7.36	4.84	6.41	3.35	VB015
1-1/4"	1.25	8.63	7.50	4.84	6.41	3.66	VB015
1-1/2"	1.50	11.3	9.92	6.18	7.50	4.15	VB030
2"	2.00	12.0	10.2	6.18	7.50	4.80	VB030