



<b>JOB NAME:</b>	<b>CONTRACTOR:</b>
<b>JOB LOCATION:</b>	<b>APPROVAL:</b>
<b>ENGINEER:</b>	<b>CONTRACTOR P.O.:</b>
<b>APPROVAL:</b>	<b>REPRESENTATIVE:</b>

## 8E1300-00\*

**1300 2-WAY, 3-PIECE DIRECT MOUNT STAINLESS STEEL, STAINLESS STEEL PORT INSTRUMENTATION BALL WITH VALBIA ELECTRIC ACTUATOR**

**SIZES 1/4" TO 3/4"**

<b>*001</b> 12V AC/DC	<b>*002</b> 24V AC/DC	<b>*003</b> 100-240V AC
<b>*01*</b> BATTERY BACKUP	<b>*02*</b> POSITIONER	<b>*04*</b> BATTERY BACKUP W POSITIONER

### SPECIFICATIONS

The Bonomi 8E1300 series electric actuated package features a stainless steel, 2000psi 3-piece, ISO 5211 direct mount ball valve with compression ends. The valve also has TFM-1600 seats, and a multiple stem packing design for high cycle applications.

The Valbia electric VB series actuator fits directly over the 1300-series square stem and ISO 5211 pad. The actuator also is standardly furnished with dual voltages, two extra limit switches, torque limiter, extended manual override, 75% duty cycle motor, in a IP 67, NEMA 4, 4X techno polymer housing.

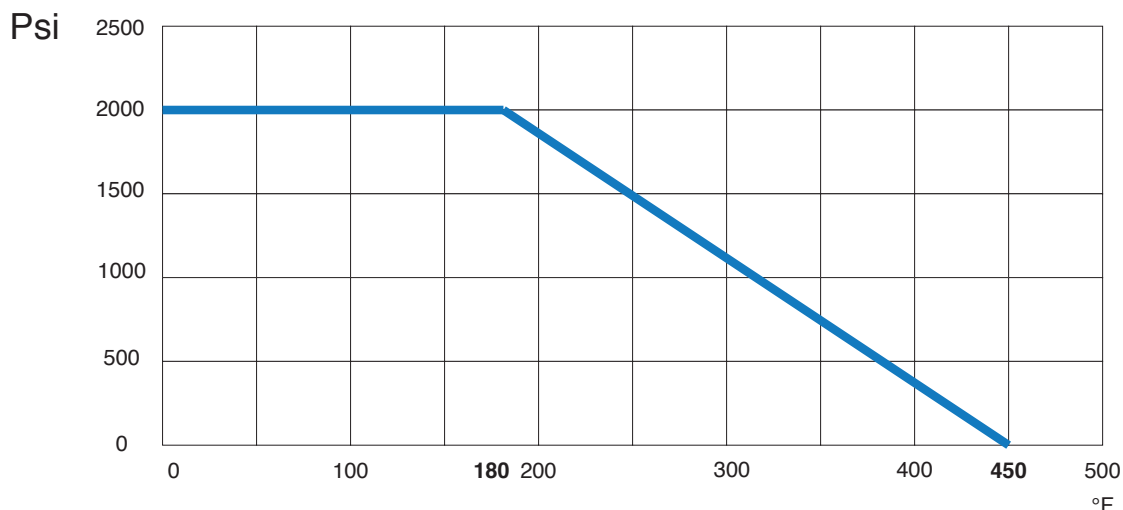
### ACTUATOR FEATURES

- NEMA 4, 4X IP67 Housing
- 12V/24V AC/DC and 100-240V AC Models Available
- ISO 5211 dual patterns
- VB015 - 12/24V AC - 50% Duty Cycle
- VB030-VB110 - 12/24V DC and 100-240V AC - 75% Duty Cycle
- High-Strength, Impact Resistant IP67 Technopolymer Housing
- Heater & Thermostat
- Torque Limiter
- Temperature Range -4°F to 131°F
- PG11 Electrical Connection/Optional 1/2" Conduit

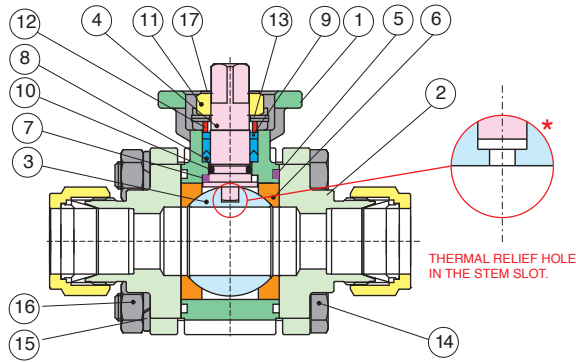
### VALVE FEATURES

- 3-Pc. Stainless Steel Port Instrumentation Ball
- Standard port, sizes 1/4" to 3/4"
- Working pressure to 2000 psi
- Temperature range -4°F to 450°F
- ISO 5211 mounting pad with square stem
- TFM1600 seats
- P.T.F.E. packing and seals
- Extremely high cycle life
- Compression ends with heat treated ferrules

### PRESSURE - TEMPERATURE CHART FOR SERIES 1300



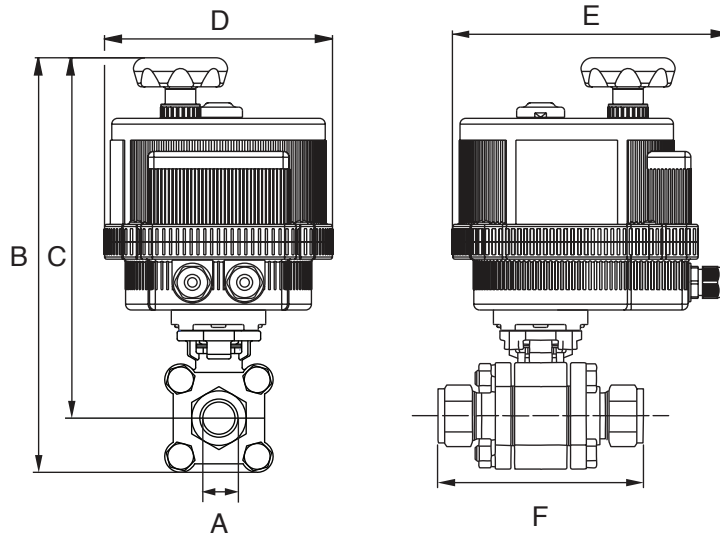
## BILL OF MATERIALS FOR 1300



N POS	PART NAME	MATERIAL	N PCS
1	BODY	CF8M	1
2	END CAP	CF8M	2
3	BALL	SS 316	1
4	STEM	SS 316	1
5	PACKING	P.T.F.E.	2
6	SEAT	TFM1600	2
7	STEM SEAL	P.T.F.E.	1
8	V-RING PACKING	P.T.F.E.	1 Set
9	BUSHING	50% SS - 50% P.T.F.E.	1

N POS	PART NAME	MATERIAL	N PCS
10	O-RING	FKM (Viton®)	1
11	STEM NUT	SS304	1
12	GLAND	SS304	1
13	BELLEVILLE WASHER	SS304	2
14	BOLT	SS304	4
15	WASHER	SS304	4
16	BOLT NUT	SS304	4
17	LOCK SADDLE	SS304	1

## DIMENSIONS



### STANDARD ON-OFF (-00\*)

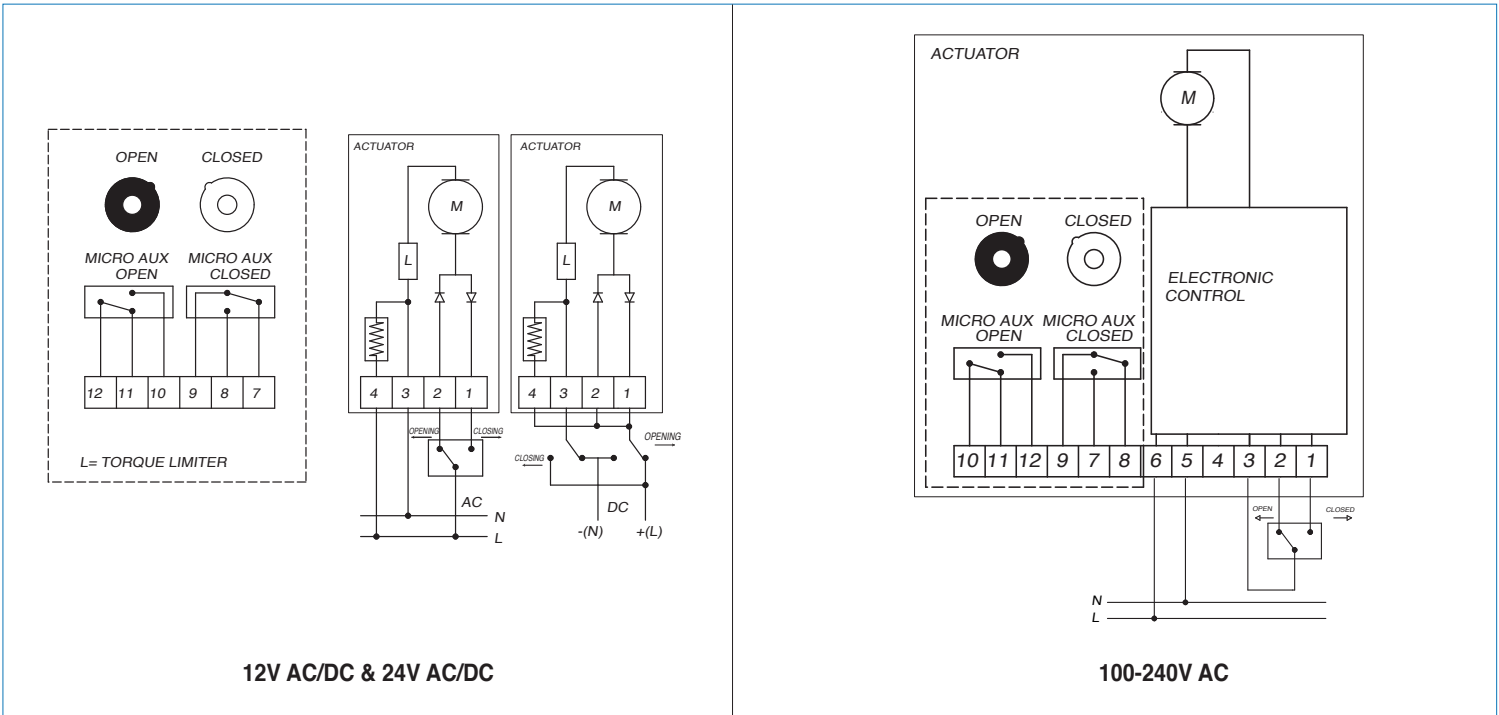
Size	1/4"	3/8"	1/2"	3/4"
<b>A</b>	0.18	0.25	0.37	0.63
<b>B</b>	9.09	9.09	9.09	9.09
<b>C</b>	7.17	7.17	7.17	7.17
<b>D</b>	4.84	4.84	4.84	4.84
<b>E</b>	6.45	6.45	6.45	6.45
<b>F</b>	3.74	3.79	4.02	4.02
<b>Act.</b>	VB015	VB015	VB015	VB015

### FAIL-SAFE/POSITIONER (-01,-02,-03)

Size	1/4"	3/8"	1/2"	3/4"
<b>A</b>	0.18	0.25	0.37	0.63
<b>B</b>	10.92	10.92	10.92	10.92
<b>C</b>	9.00	9.00	9.00	9.00
<b>D</b>	6.18	6.18	6.18	6.18
<b>E</b>	7.51	7.51	7.51	7.51
<b>F</b>	3.74	3.79	4.02	4.02
<b>Act.</b>	VB030	VB030	VB030	VB030

# ON/OFF WIRING DIAGRAM - VB015

12V AC/DC, 24V AC/DC & 100-240VAC



# POSITIONER WIRING DIAGRAM - VB030

12V AC/DC, 24V AC/DC & 100-240VAC

