



<b>JOB NAME:</b>	<b>CONTRACTOR:</b>
<b>JOB LOCATION:</b>	<b>APPROVAL:</b>
<b>ENGINEER:</b>	<b>CONTRACTOR P.O.:</b>
<b>APPROVAL:</b>	<b>REPRESENTATIVE:</b>

## 8E761031-00\*

**761031 2-WAY CARBON STEEL, ANSI 300 FLANGED, SPLIT BODY STYLE, FULL PORT BALL VALVE WITH VALBIA ELECTRIC ACTUATOR AND BRACKET**

**SIZES 1/2" TO 4"**

<b>*001</b> 12V AC/DC	<b>*002</b> 24V AC/DC	<b>*003</b> 100-240V AC
<b>*01*</b> BATTERY BACKUP	<b>*02*</b> POSITIONER	<b>*04*</b> BATTERY BACKUP W POSITIONER

### SPECIFICATIONS

The 8E761031 series electric actuator assembled package features the 761031 series Class 300, full port, carbon steel split body, ISO 5211 pad, double D stem, flanged ball valve. This valve is designed to ANSI 16.5, ANSI 16.10, and ANSI 16.34. It is also certified to API 607, 4th edition, API 6FA, and meets NACE MR 0175 and NACE MR 0103.

The Valbia VB series actuator housing is made from a high impact resistant techno polymer, and standardly features dual motors, two extra limit switches, a heater & thermostat, a torque limiter, dual ISO patterns, female star drive, position in-dicator, PG11 connections, and a 75% duty cycle motor. The actuator is also NEMA 4,4X rated. Op-tions include positioning boards, battery backups, or a combination of the two.

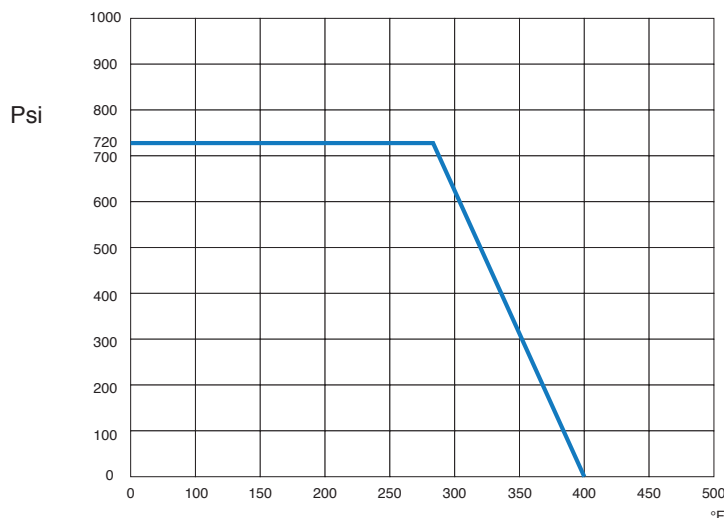
### ACTUATOR FEATURES

- NEMA 4, 4X IP67 Housing
- 12V/24V AC/DC and 100-240V AC Models Available
- ISO 5211 dual patterns
- VB015 -12/24V AC - 50% Duty Cycle
- VB030-VB110 - 12/24V DC and 100-240V AC - 75% Duty Cycle
- High-Strength, Impact Resistant IP67 Technopolymer Housing
- Heater & Thermostat
- Torque Limiter
- Temperature Range -4°F to 131°F
- PG11 Electrical Connection/Optional 1/2" Conduit

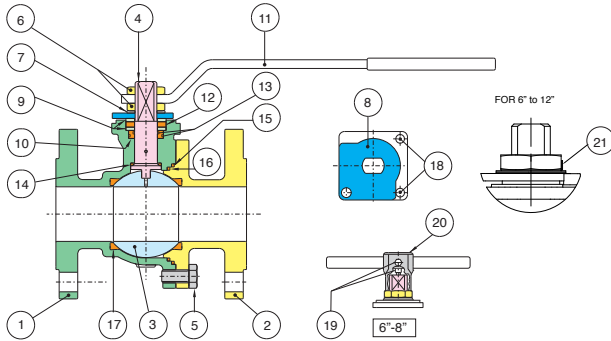
### VALVE FEATURES

- Carbon Steel, ANSI class 300 flanged
- Full port, sizes 1/2" to 4"
- Temperature range -4°F to 400°F
- Blow-out proof stem, adjustable stem packing
- P.T.F.E. seats, packing and thrust washer
- 100% tested
- PED 97/23/CE
- ANSI B16.5, B16.10, B16.34 design
- Fire Safe API 6FA-API 607 4th edition
- Antistatic Device
- ISO 5211 mounting pad with double "D" stem

### PRESSURE - TEMPERATURE CHART FOR SERIES 761031



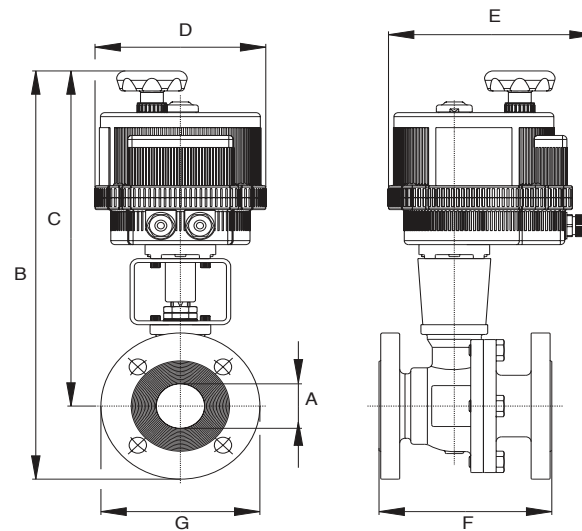
## BILL OF MATERIALS FOR 761031



N POS	PART NAME	MATERIAL	N PCS
1	BODY	A216 WCB	1
2	END CONNECTION	A216 WCB	1
3	BALL	A479-304/A351 CF8M	1
4	STEM	A479-304	1
5	SCREW	STAINLESS STEEL	4-8-12
6	NUT	CARBON STEEL 1/2" - 1-1/2" 2" - 8"	1-2
7	SPRING WASHER	STEEL	2
8	TRAVEL STOP	CARBON STEEL	1
9	PACKING GLAND	CARBON STEEL	2
10	STEM SEAL	P.T.F.E.	1
11	HANDLE	CARBON STEEL	1

N POS	PART NAME	MATERIAL	N PCS
12	STEM SEAL	GRAPHOIL	1
13	O-RING	FKM (Viton®)	2
14	THRUST WASHER	P.T.F.E.	1
15	SEAL	GRAPHOIL	1
16	SEAL	P.T.F.E.	1
17	BALL SEATS	R.P.T.F.E.	2
18	SCREW	CARBON STEEL	2
19	SCREW	CARBON STEEL	2
20	BODY HANDLE	CAST IRON	1
21	UNSCREWING GROWER	A182-F316	1

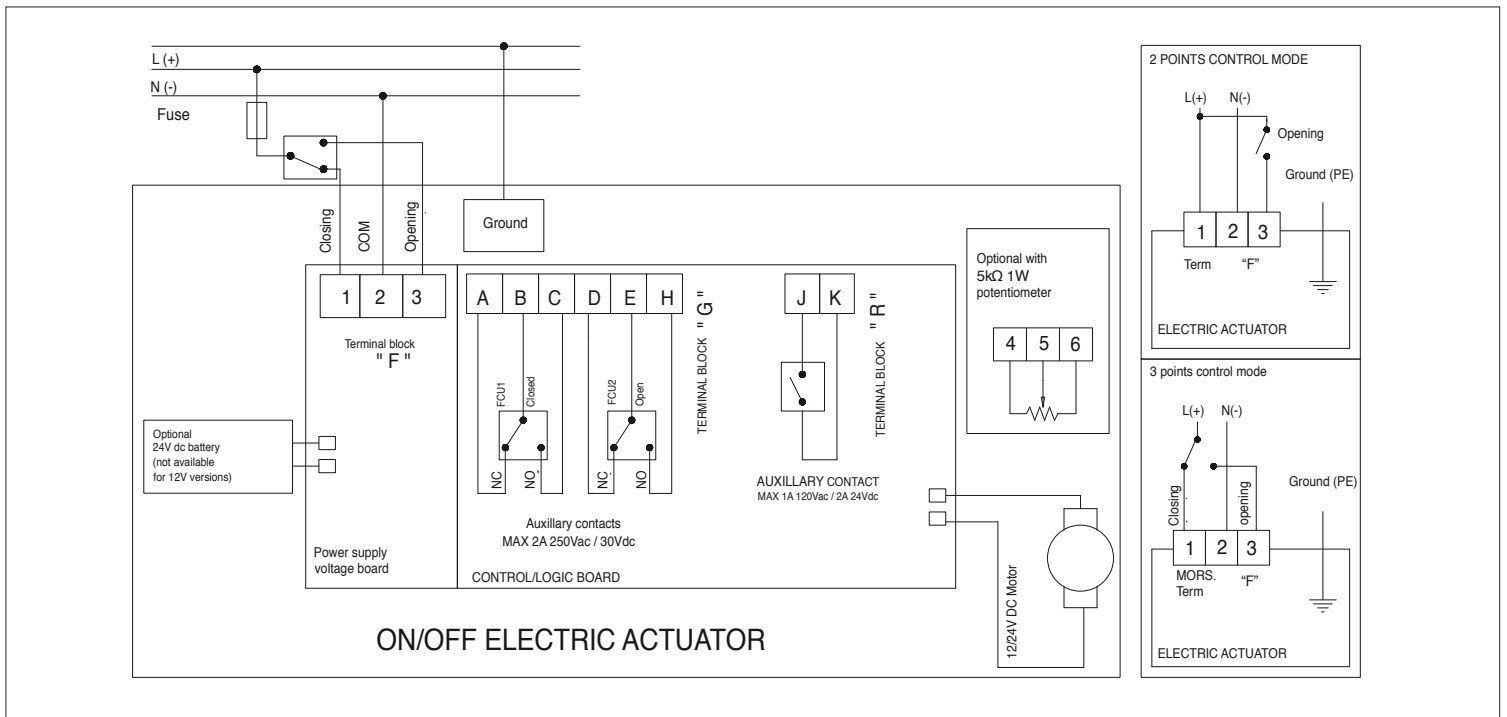
## DIMENSIONS



Size	1/2"	3/4"	1"	1-1/2"	2"	3"	4"
A	.500	.750	.980	1.50	1.97	3.00	3.94
B	10.6	10.9	13.8	16.8	17.0	20.3	21.6
C	8.85	8.93	11.0	13.8	14.1	16.5	17.1
D	4.84	4.84	6.18	7.28	7.28	8.31	8.31
E	7.48	7.48	7.48	8.43	8.43	9.33	9.33
F	5.51	5.98	6.50	7.48	8.50	11.14	12.01
G	3.50	3.88	4.25	5.00	6.00	7.50	9.00
Act.	VB030	VB030	VB030	VB060	VB060	VB190	VB270

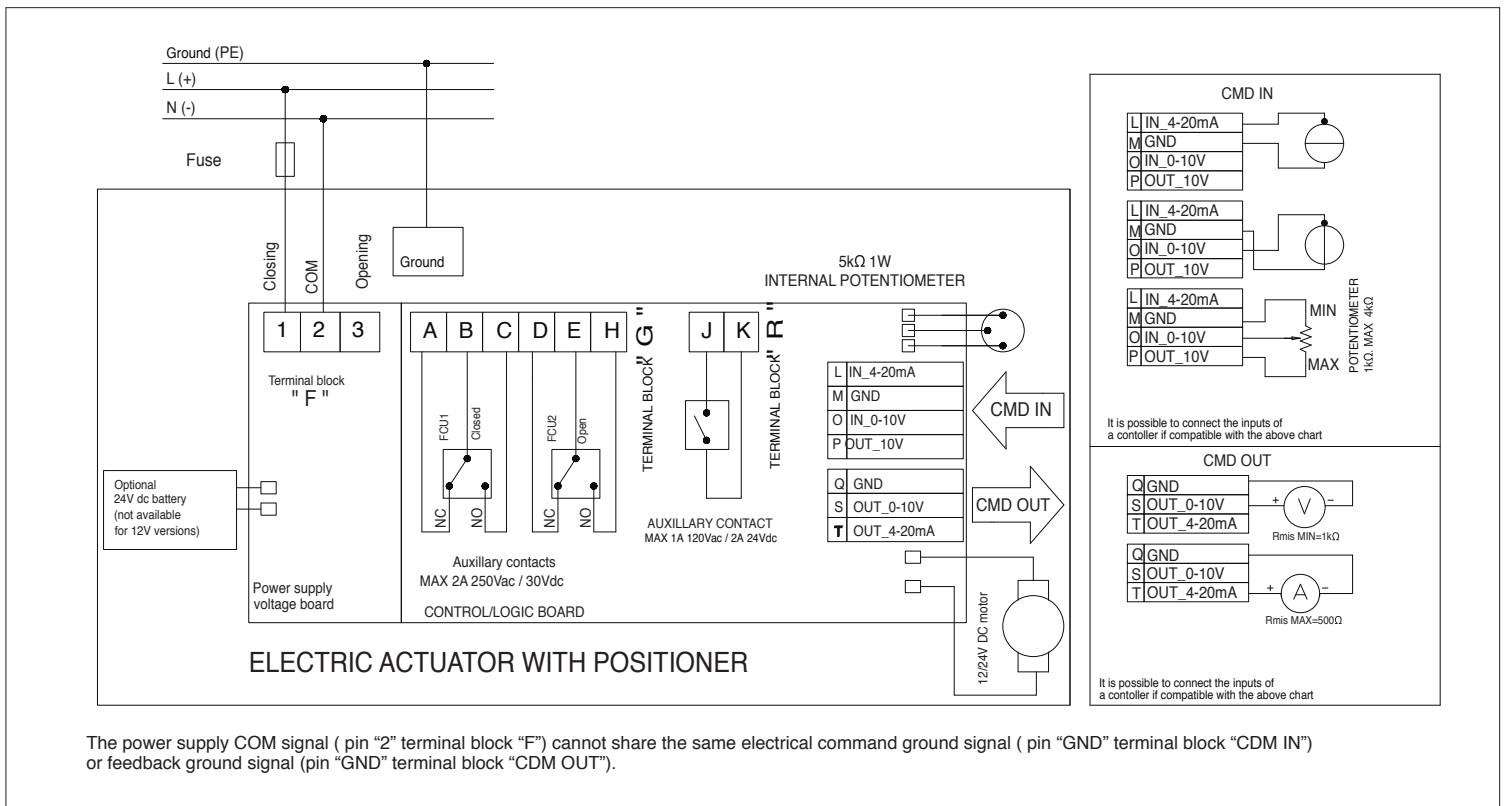
# ON/OFF WIRING DIAGRAM - VB030 -VB190

12V AC/DC, 24V AC/DC & 100-240VAC



# POSITIONER WIRING DIAGRAM - VB030 -VB190

12V AC/DC, 24V AC/DC & 100-240VAC



The power supply COM signal ( pin "2" terminal block "F" ) cannot share the same electrical command ground signal ( pin "GND" terminal block "CDM IN" ) or feedback ground signal ( pin "GND" terminal block "CDM OUT" ).