



JOB NAME:	CONTRACTOR:
JOB LOCATION:	APPROVAL:
ENGINEER:	CONTRACTOR P.O.:
APPROVAL:	REPRESENTATIVE:

M8E067-00*

700076 DIRECT MOUNT, 2-WAY STAINLESS STEEL, FULL PORT BALL VALVE W VALBIA METAL ELECTRIC ACTUATOR SIZES 1/4" TO 3"

*001	12V AC/DC	*002	24V AC/DC	*003	100-240V AC
01	BATTERY BACKUP	*02*	POSITIONER	*04*	BATTERY BACKUP W POSITIONER

SPECIFICATIONS

The M8E067 packaged series is ideally suited for industrial applications, where space and reliability at a premium.

The M8E067 package includes an electric actuator with a sturdy, die cast aluminum body which is weather-proof with a heater and thermostat included.

The NEMA 4 housing is resistant to dusty areas and in areas where water may be sprayed and is ideally suited for outdoor use.

For 12V AC/DC models use suffix -001, for 24V AC/DC models use suffix -002, and 120V AC models use suffix -003.

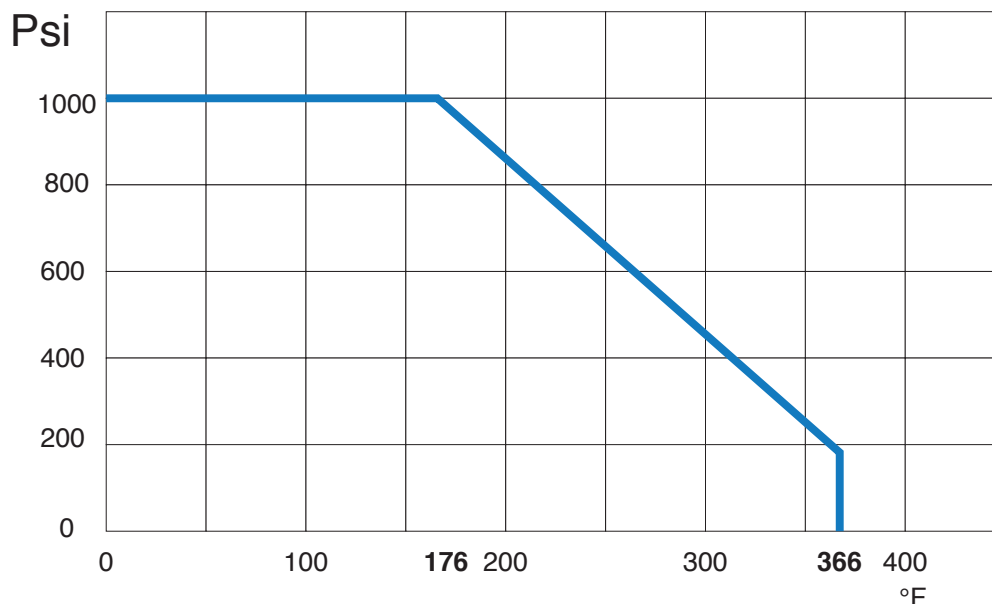
ACTUATOR FEATURES

- Dual Voltages
- 24V AC/DC and 100-240V AC Models Available
- ISO 5211, F03/F05 base with 11mm female drive
- 75% Duty Cycle
- Anti-condensation heater, (when red wire is connected to power)
- High-Strength, Die Cast Aluminum Powder Coated Housing
- Temperature Range -4°F to 131°F
- NEMA 4 Housing
- Two Auxiliary Switches Standard
- Torque limiter standard

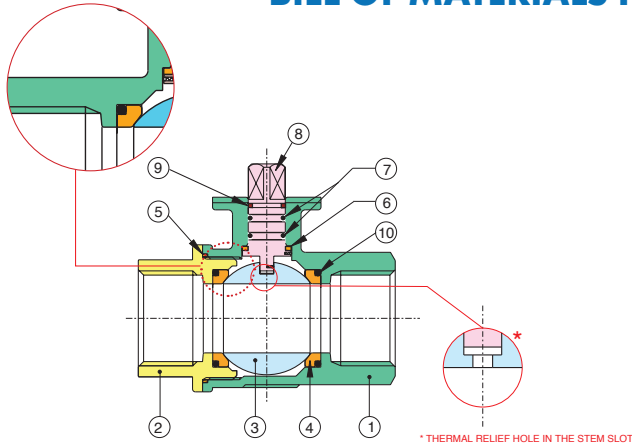
VALVE FEATURES

- CF8M Stainless Steel
- Full Port, Sizes 1/4" to 3"
- ISO 5211 pad/square stem
- Pressure rating to 1000 psi, 150 psi steam
- Temperature -4°F to 366°F
- Blow out proof stem
- P.T.F.E. seats with O-ring backing for low operating torque
- P.T.F.E. seals and Double O-ring stem seal design for extended cycle life
- 100% electronically tested in the open and closed position @ 80 Psi
- Thermal relief protection

PRESSURE - TEMPERATURE CHART FOR SERIES 700076

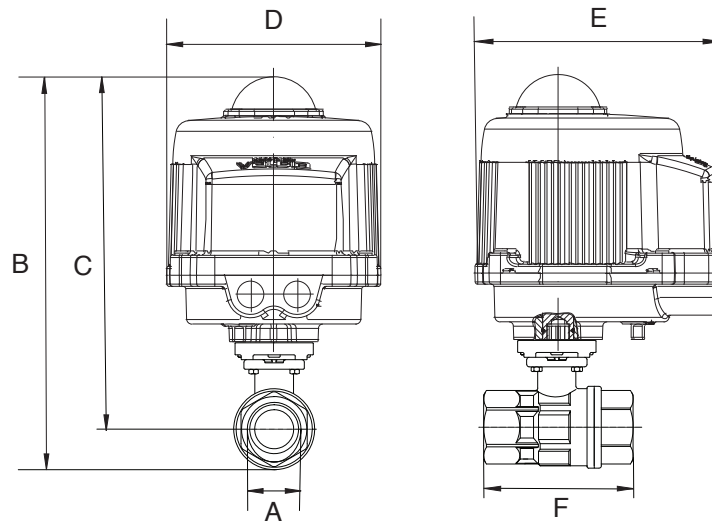


BILL OF MATERIALS FOR 700076



N POS	PART NAME	MATERIAL	N PCS
1	BODY	CF8M	1
2	END CONNECTION	CF8M	1
3	BALL	AISI 316 - CF8M	1
4	BALL SEAT	P.T.F.E.	2
5	SEAL	P.T.F.E.	1
6	STEM SEAL	P.T.F.E.	1
7	O-RING	FKM (Viton®)	2
8	STEM	AISI 316	1
9	STEM SEAL	P.T.F.E.	1
10	O-RING	FKM (Viton®)	2

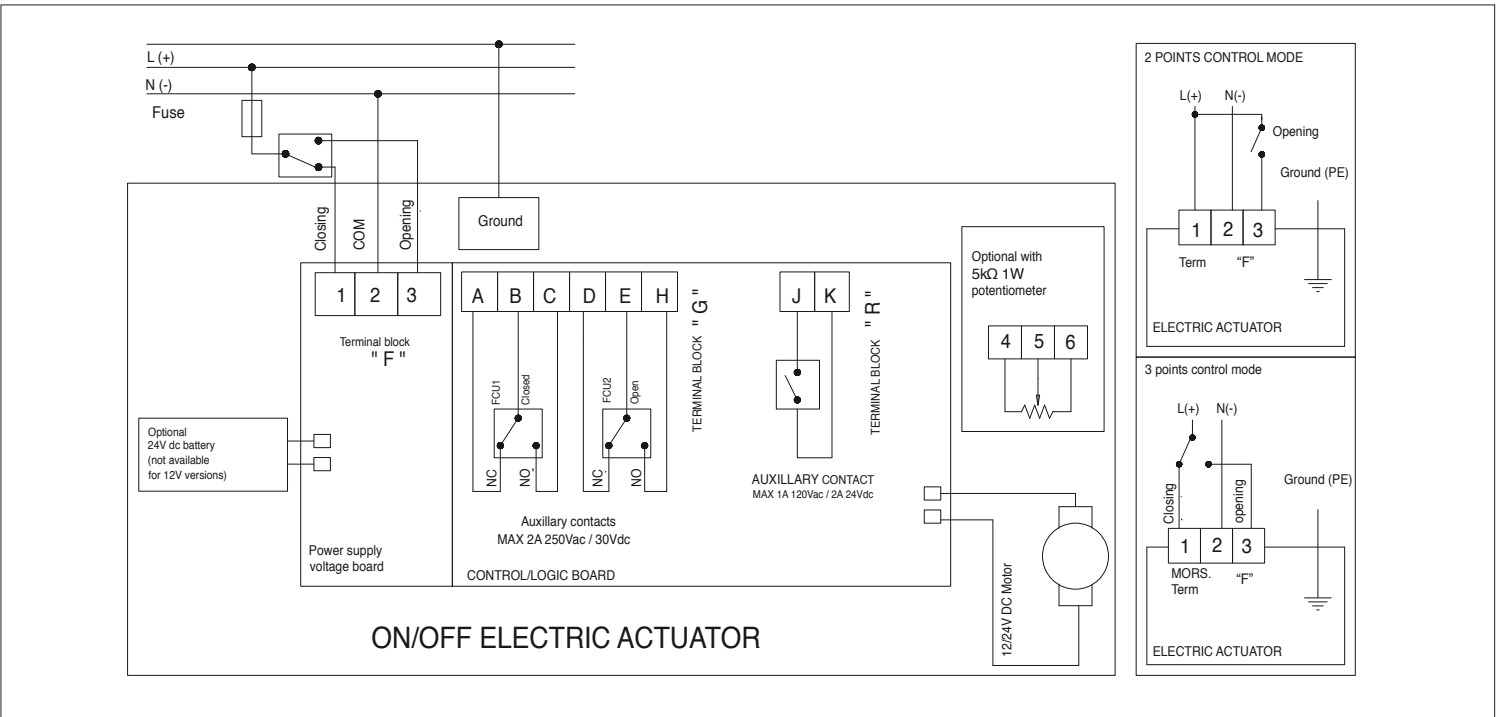
DIMENSIONS



Size	A	B	C	D	E	F	ACT.
1/4"	.250	10.33	9.11	6.34	7.36	2.56	VB030M
3/8"	.375	10.33	9.11	6.34	7.36	2.56	VB030M
1/2"	.500	10.14	9.11	6.34	7.36	2.63	VB030M
3/4"	.750	10.22	9.19	6.34	7.36	3.07	VB030M
1"	1.00	10.94	9.62	6.34	7.36	3.54	VB030M
1-1/4"	1.25	11.34	9.79	6.34	7.36	3.93	VB030M
1-1/2"	1.50	12.26	10.35	6.34	7.36	4.40	VB030M
2"	2.00	13.01	10.71	6.34	7.36	5.31	VB030M
2-1/2"	2.50	16.94	14.62	10.63	10.47	6.32	VB110M
3"	3.00	17.76	15.02	10.63	10.47	7.01	VB110M

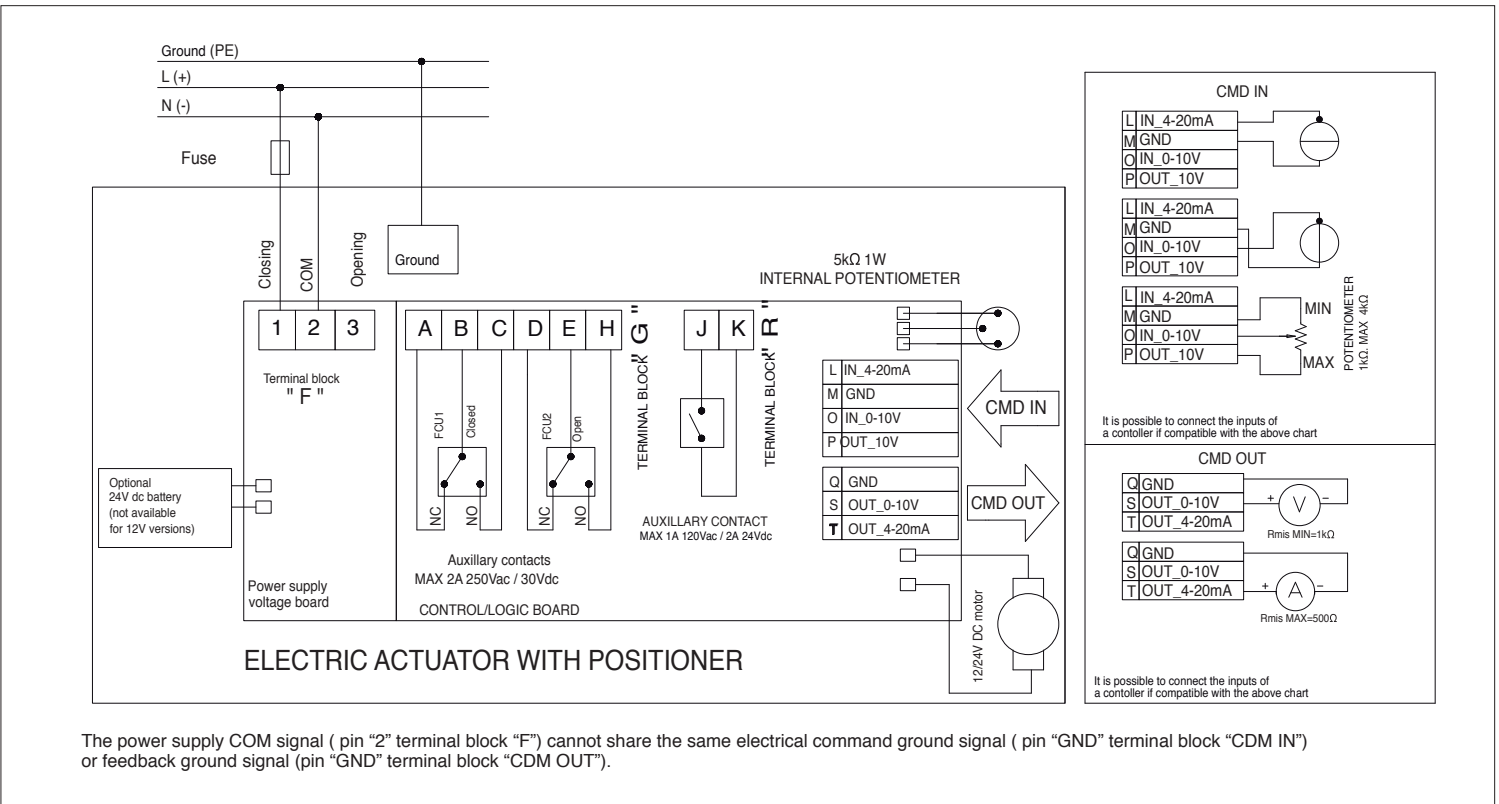
ON/OFF WIRING DIAGRAM - VB030 -VB 110

12V AC/DC, 24V AC/DC & 100-240VAC



POSITIONER WIRING DIAGRAM - VB030 -VB 110

12V AC/DC, 24V AC/DC & 100-240VAC



The power supply COM signal (pin "2" terminal block "F") cannot share the same electrical command ground signal (pin "GND" terminal block "CDM IN") or feedback ground signal (pin "GND" terminal block "CDM OUT").