



SERIES 550P PTFE COATED SS DISC

Manually operated Wafer butterfly valves.

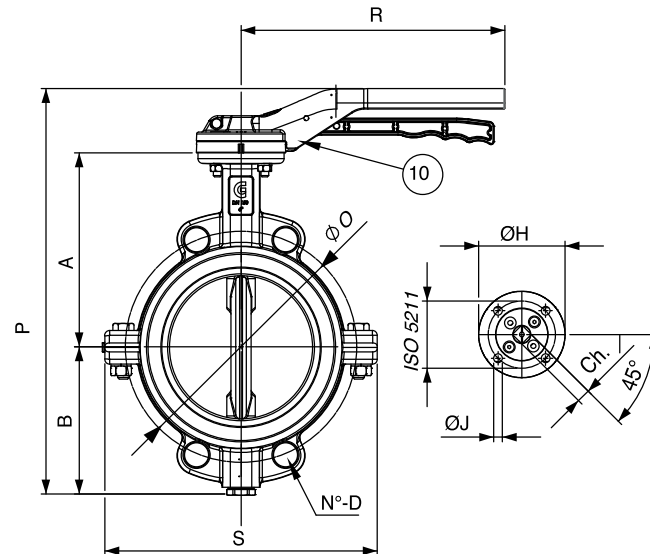
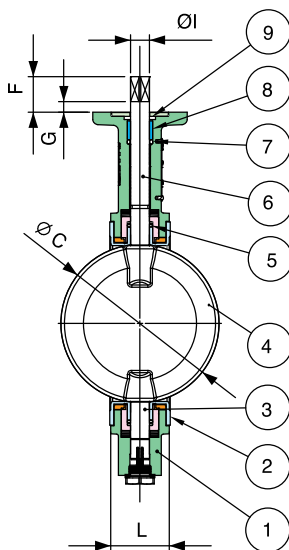
- Epoxy coated ductile iron (EN-GJS 400-15) Wafer body.
- 550P - sizes 2" to 12".
- ISO 5211 direct mounting pad/square stem.
- PTFE seat -70°F to +392°F.
- API 609 face to face flange.
- Floating dual shaft disc design.
- Pressure rating 250 psi: 2" - 8" and 150 psi: 10"-12".
- MSS SP 67 compliant.
- No pins in disc prevent potential leak points.
- FDA approved PTFE coating.
- Stainless steel body available on request.

550P: size 2" to 12".

G550P: GEAR OPERATED VERSION size 2" to 12".

FDA
FDA APPROVED
PTFE COATING

NEW



POS	PART NAME	MATERIAL	QTY	SIZE	ISO 5211	∅Ch	A	B	∅C	F	G	∅H	∅I	∅J	L	N°-D	P	R	S	Weight (Lbs)	Seat torque lb-in		Cv (GPM@ 1psi)	
																					100 psi	250 psi	50% OP	100% OP
1	BODY	DUCTILE IRON	1	2"	F07	11 mm	5.43	3.19	2.17	1.34	0.39	3.54	0.55	0.35	1.69	4-0.79	11.26	8.66	6.50	11.46	142	221	31.8	134.9
2	SEAT	PTFE	1	2 1/2"	F07	11 mm	5.67	3.86	2.68	1.34	0.39	3.54	0.55	0.35	1.81	4-0.79	12.17	8.66	7.32	13.01	177	248	48	254.2
3	LOWER SHAFT	A630	1	3"	F07	11 mm	6.22	4.33	3.19	1.34	0.39	3.54	0.55	0.35	1.81	4-0.79	13.19	8.66	7.72	13.67	354	487	72.6	431.5
4	DISC	S.S. PTFE LINED	1	4"	F07	11 mm	6.81	5.04	3.98	1.34	0.39	3.54	0.63	0.35	2.05	4-0.98	14.49	8.66	8.66	18.96	451	584	109.1	689.5
5	SECONDARY SEAL	PTFE	2	5"	F07	14 mm	7.32	5.51	4.96	1.34	0.39	3.54	0.71	0.35	2.20	4-0.98	15.47	10.83	9.84	23.92	531	752	173.2	1200
6	UPPER SHAFT	A630	1	6"	F07	14 mm	7.95	6.10	5.91	1.34	0.39	3.54	0.71	0.35	2.20	4-0.98	16.69	10.83	10.94	27.67	620	885	260.7	1756.1
7	O-RING	VITON	1	8"	F10	17 mm	9.45	7.48	7.87	1.50	0.39	4.92	0.87	0.43	2.36	4-0.98	19.57	-	13.98	33.51	1283	1938	482.4	3105.2
8	BUSHING	PTFE	1	10"	F10	22 mm	10.63	8.66	9.84	1.50	0.39	4.92	1.18	0.43	2.68	4-1.10	21.93	-	15.67	54.01	1947	-	730.5	5191.8
9	STOP RING	SPRING STEEL	1	12"	F10	22 mm	11.81	9.72	11.73	1.50	0.39	4.92	1.18	0.43	3.07	4-1.10	24.17	-	17.91	70.55	2478	-	1054.8	8169

* 10" - 12" available in bare stem or gear operated version only

WARNING: This product can expose you to chemicals including lead, which is known to the State of California to cause cancer and birth defects or other reproductive harm. For more information go to www.p65warnings.ca.gov.

