



JOB NAME:	CONTRACTOR:
JOB LOCATION:	APPROVAL:
ENGINEER:	CONTRACTOR P.O.:
APPROVAL:	REPRESENTATIVE:

## EXMEN501N

**N501N RUBBER-LINED DIRECT MOUNT, LUG STYLE BUTTERFLY VALVE WITH EPDM SEATS AND NYLON DISC W CSA APPROVED EXPLOSION PROOF METAL ELECTRIC ACTUATOR**

**SIZES 2" TO 12"**

**541N - BUNA-N SEATS**

## EXMEN501S

**N501S RUBBER-LINED DIRECT MOUNT, LUG STYLE BUTTERFLY VALVE WITH EPDM SEATS AND SS DISC W CSA APPROVED EXPLOSION PROOF METAL ELECTRIC ACTUATOR**

**SIZES 1/2" TO 12"**

**531S - VITON SEATS / 541S - BUNA-N SEATS**

*002 24 AC/DC ON/OFF	*003 110V DC ON/OFF	*004 220V DC ON/OFF
*022 POSITIONER	*023 POSITIONER	*024 POSITIONER

## SPECIFICATIONS

Bonomi North America series EXMEN501S and EXMEN501N packages, include ductile iron, epoxy coated, lug style, resilient EPDM seat butterfly valves in sizes 1 1/2"-12" are NSF/ANSI61/372 certified.

This series shall offer a dual stem design and ISO 5211/DIN3337 direct mounting for high cycle automation capabilities.

In addition, the MEN501S-MEN501N series features a phenolic -backed cartridge seat design which offers a 250CWP maximum pressure rating, dead-end service to 100 PSI, and conforms to ANSI B16.1 and ANSI B16.5

The heavy duty industrial EXM series electric actuator features a direct mount CSA certified NEMA 4X,7,8, and 9 housing, with 2 auxiliary switches, 1/2" conduit connections, built in thermal overload protection, heater & thermostat, clutch-less manual override, and a temperature range of -22°F to 156°F.

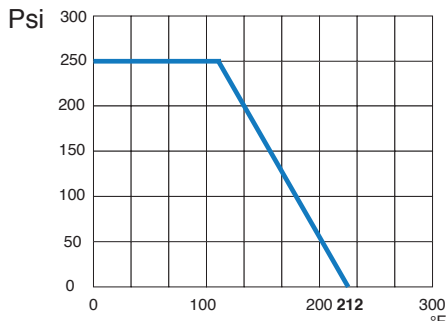
## ACTUATOR FEATURES

- NEMA 4x, 7, 8 & 9 (CSA Approved)
- Enclosure conforms to IP68 with explosion-protected performance and 1/2" FNPT conduit connection
- Temperature range: -22°F to 158°F
- Clutch-less Manual Override
- Thermostatically controlled anti-condensation heater for working conditions
- Available in both ON/OFF (-00\*) or 4~20 mA MODULATING (-02\*)
- 30% Duty Cycle (ON/OFF) and 75% Duty Cycle (MODULATING)
- Continuous mechanical position indicator.
- Built-in thermal overload protection prevents motor burnout
- 2 auxiliary SPDT switches

## VALVE FEATURES

- ISO 5211 Direct Mount/Square Stem
- Epoxy coated Ductile Iron Lug body
- EPDM resilient seat (-30°F TO 250°F)
- 531N/531S - VITON seats (10°F TO 300°F)
- 541S - BUNA seats (10°F TO 250°F)
- API609 face to face flange
- Floating dual shaft disc design
- MSS SP 67 compliant
- No pins in disc prevent potential leak points
- NSF/ANSI 61, 372 approved

## PRESSURE - TEMPERATURE CHART FOR SERIES N501N & N501S



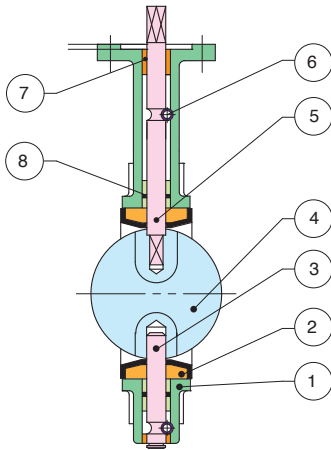
## CSA APPROVALS

Class I, Division 1, Groups C, D, T4  
Class II, Division 1, Groups E, F, G T130°C  
Type 4x  
Ex db IIB T4 Gb (For Canada)

Class I, Zone 1, AEx db IIB T4 Gb (For US)  
Ex tb IIIC T130°C Db (For Canada)  
Zone 21, AEx tb IIIC T130°C Db (For US)  
IP68 (72h, 7m)

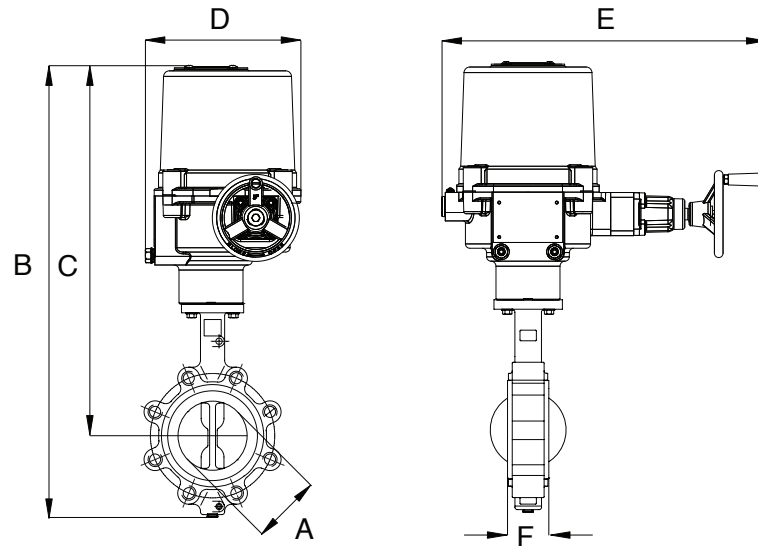


## BILL OF MATERIALS



N POS	PART NAME	MODEL	MATERIAL	N PCS
1	BODY		CAST IRON	1
2	SEAT	N501N/N501S	EPDM (-30°F TO 250°F)	1
		531S	VITON (10°F TO 300°F)	
		541N/541S	BUNA (10°F TO 250°F)	
3	LOWER SHAFT		SS416	1
4	DISC 501N		CAST IRON / NYLON 11 COATED	1
	DISC 501S		STAINLESS STEEL	
5	UPPER SHAFT		SS416	1
6	LOCATING PIN		CARBON STEEL	1
7	BUSHING		P.T.F.E.	1
8	O-RING		EPDM	1
9	LEVER		EPOXY-COATED CARBON STEEL	1

## DIMENSIONS

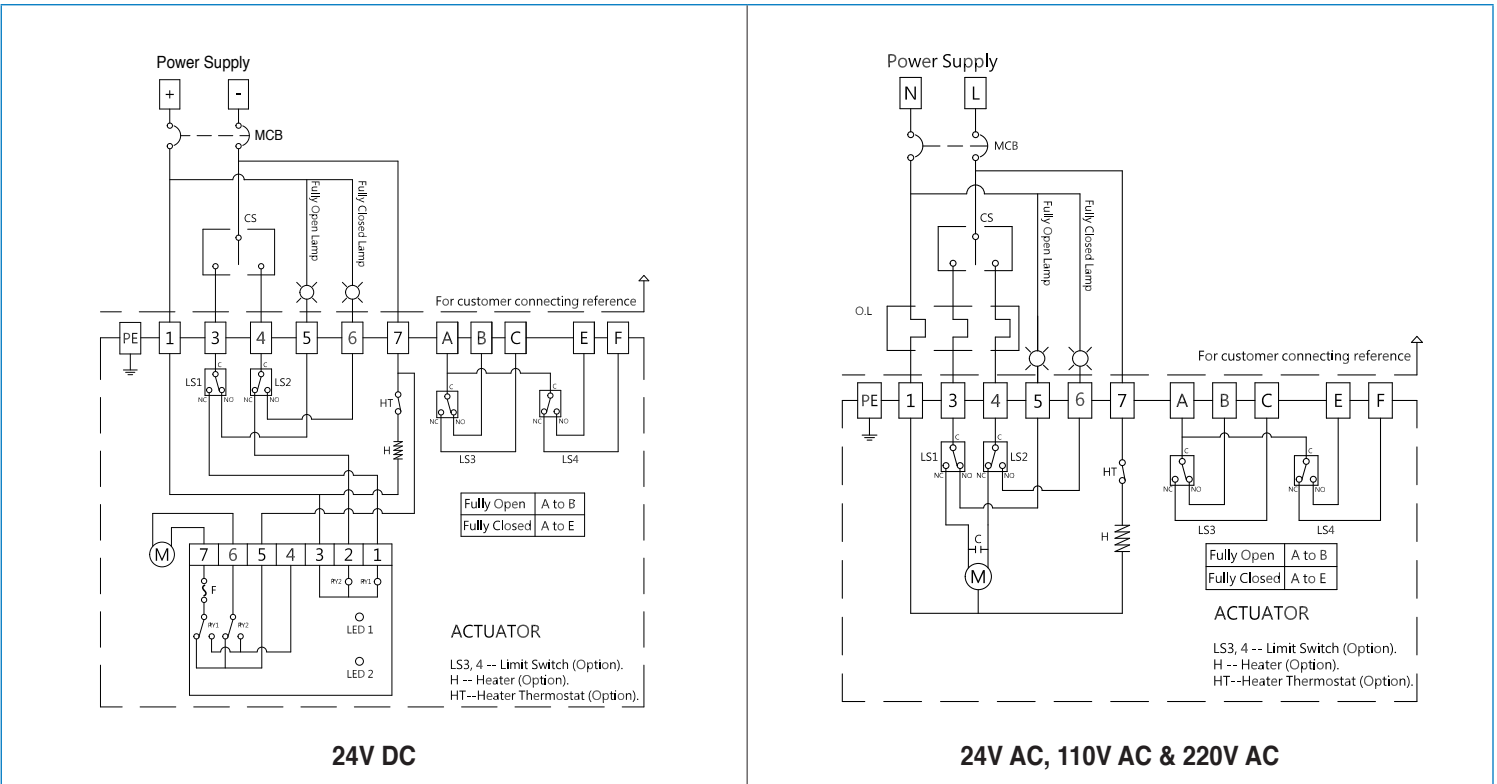


Size	A	B	C	D	E	F	Act.
1-1/2"	4.74	19.56	12.32	5.51	4.43	1.61	EAX035
2"	4.74	20.55	12.95	5.51	4.43	1.65	EAX035
2-1/2"	5.49	21.65	13.50	5.51	4.43	1.76	EAX035
3"	6.00	22.12	13.74	5.51	4.43	1.78	EAX035
4"	7.50	26.76	17.63	5.39	4.45	2.05	EAX045
5"	8.50	31.01	21.41	8.46	17.80	2.14	EAX080
6"	9.50	32.13	21.97	8.46	17.80	2.20	EAX130
8"	11.75	35.32	23.31	8.46	17.80	2.34	EAX130
10"	14.25	39.34	26.07	11.57	21.54	2.58	EAX360
12"				C/F			

\* Available in N501S Only

# ON/OFF WIRING DIAGRAM

24V DC, 24V AC, 110V AC & 220VAC



# POSITIONER WIRING DIAGRAM

24V DC, 24V AC, 110V AC & 220VAC

