



<b>JOB NAME:</b>	<b>CONTRACTOR:</b>
<b>JOB LOCATION:</b>	<b>APPROVAL:</b>
<b>ENGINEER:</b>	<b>CONTRACTOR P.O.:</b>
<b>APPROVAL:</b>	<b>REPRESENTATIVE:</b>

## MEN501N

**RUBBER-LINED DIRECT MOUNT, LUG STYLE BUTTERFLY VALVE WITH EPDM SEATS AND NYLON DISC WITH VALBIA ELECTRIC METAL ACTUATOR**

**SIZES 2" TO 12"**

**ME541N - BUNA SEATS**

## MEN501S

**RUBBER-LINED DIRECT MOUNT, LUG STYLE BUTTERFLY VALVE WITH EPDM SEATS AND STAINLESS STEEL DISC WITH VALBIA METAL ELECTRIC ACTUATOR**

**SIZES 1-1/2" TO 12"**

**ME531S - VITON SEATS**

**ME541S - BUNA SEATS**

<b>*001</b> 12V AC/DC	<b>*002</b> 24V AC/DC	<b>*003</b> 100-240V AC
<b>*01*</b> BATTERY BACKUP	<b>*02*</b> POSITIONER	<b>*04*</b> BATTERY BACKUP W POSITIONER

### SPECIFICATIONS

Bonomi North America series MEN501S and MEN501N packages, include ductile iron, epoxy coated, lug style, resilient EPDM seat butterfly valves in sizes 1 1/2"-12" are NSF/ANSI 61/372 certified.

This series shall offer a dual stem design and ISO 5211/DIN3337 direct mounting for high cycle automation capabilities.

In addition, the MEN501S-MEN501N series features a phenolic-backed cartridge seat design which offers a 250CWP maximum pressure rating, dead-end service to 100 PSI, and conforms to ANSI B16.1 and ANSI B16.5

The MEN501 series also includes a rugged aluminum polyester powder coated metal housing NEMA 4 electric actuator, with standard features such as 2 extra limit switches, heater and thermostat, torque limiter, dual voltages, bubble type position indicator and a 75% duty cycle motor.

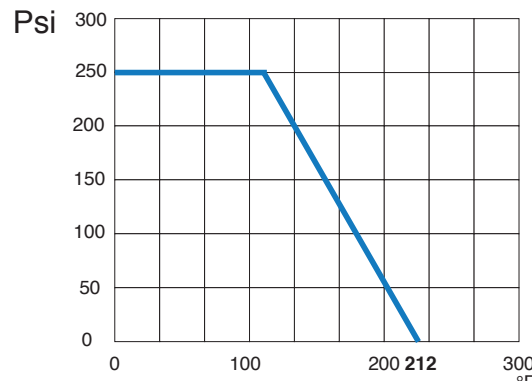
### ACTUATOR FEATURES

- Dual Voltages
- CSA, UL approved
- 24V AC/DC and 100-240V AC
- ISO 5211 dual patterns
- 75% Duty Cycle
- High-Strength, Die Cast Aluminum Powder Coated Housing
- Temperature Range -4°F to 131°F
- NEMA 4 Housing
- Two Auxiliary Switches Standard
- Torque limiter standard
- 1/2" Conduit connections

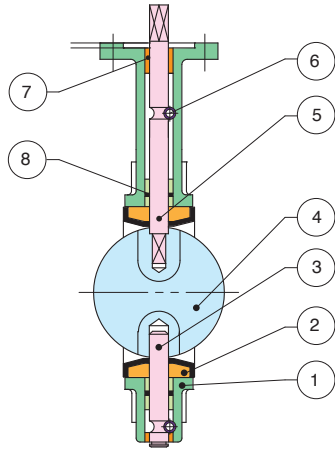
### VALVE FEATURES

- ISO 5211 Direct Mount/Square Stem
- Epoxy coated Ductile Iron Lug body
- EPDM resilient seat (-30°F TO 250°F)
- 531N/531S - VITON seats (10°F TO 300°F)
- 541S - BUNA seats (10°F TO 250°F)
- API609 face to face flange
- Floating dual shaft disc design
- MSS SP 67 compliant
- No pins in disc prevent potential leak points
- NSF/ANSI 61, 372 approved

### PRESSURE - TEMPERATURE CHART FOR SERIES N501N/N501S

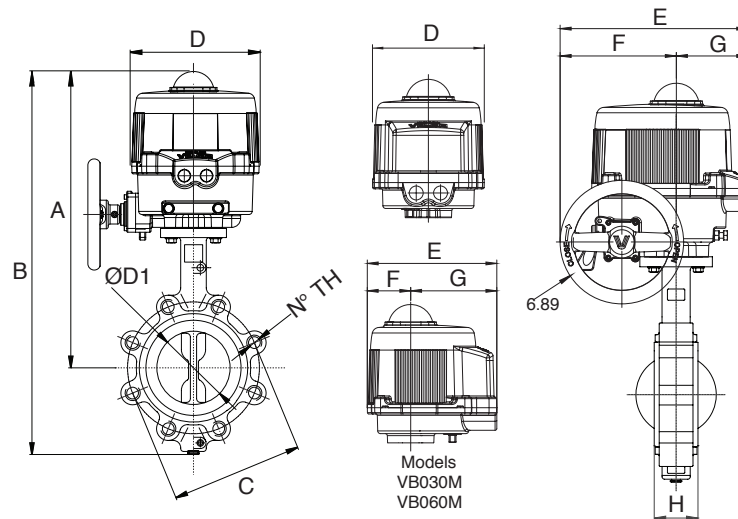


## BILL OF MATERIALS



N POS	PART NAME	MODEL	MATERIAL	N PCS
1	BODY		CAST IRON	1
2	SEAT	N501N/N501S	EPDM (-30°F TO 250°F)	1
		531N/531S	VITON (10°F TO 300°F)	
		541S	BUNA (10°F TO 250°F)	
3	LOWER SHAFT		SS416	1
4	DISC 500N		CAST IRON / NYLON 11 COATED	1
	DISC 500S		STAINLESS STEEL	
5	UPPER SHAFT		SS416	1
6	LOCATING PIN		CARBON STEEL	1
7	BUSHING		P.T.F.E.	1
8	O-RING		EPDM	1
9	LEVER		EPOXY-COATED CARBON STEEL	1

## DIMENSIONS

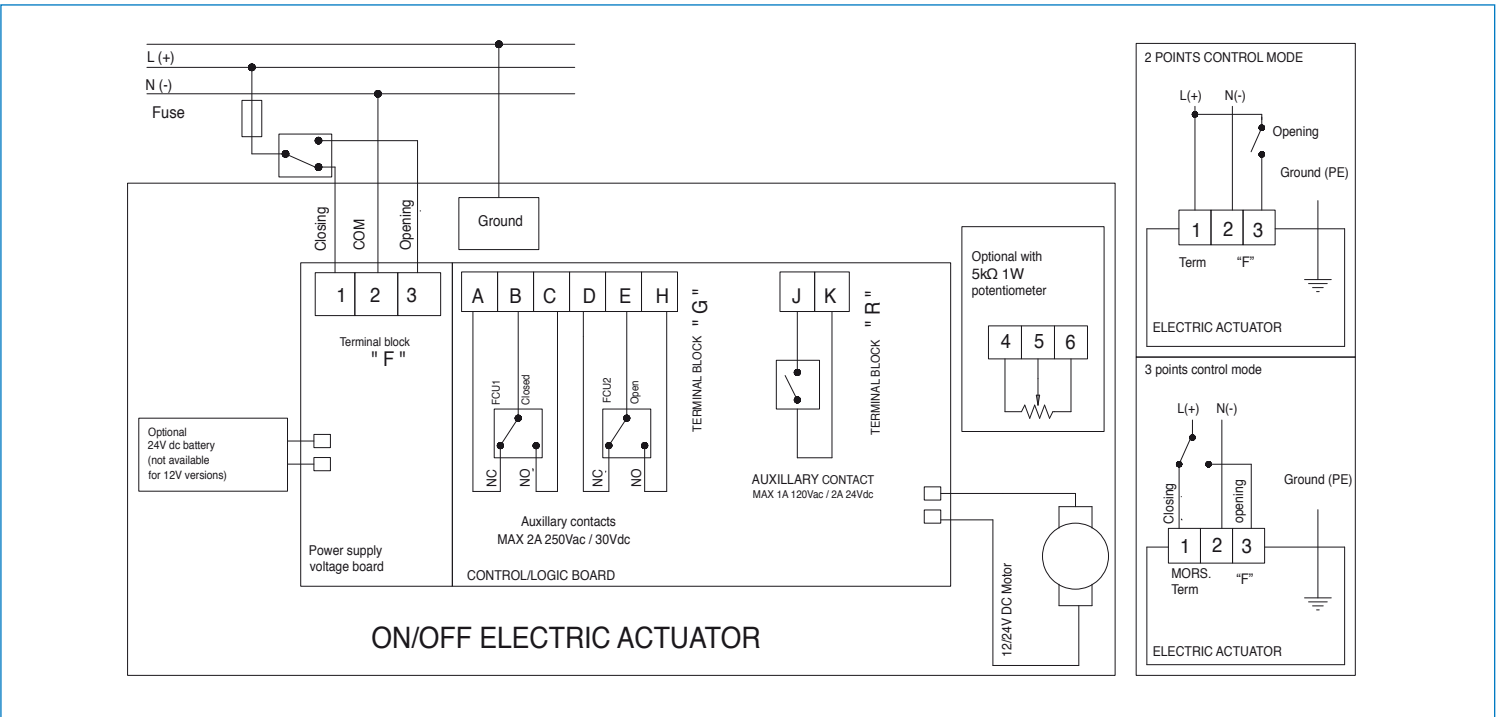


Size	A	B	C	D	E	F	G	H	Act.
1-1/2" *	13.54	16.51	4.74	6.34	7.36	2.48	4.88	1.61	VB030M
2"	14.17	17.32	4.74	6.34	7.36	2.48	4.88	1.65	VB030M
2-1/2"	14.72	18.22	5.49	6.34	7.36	2.48	4.88	1.76	VB030M
3"	14.96	18.70	6.00	6.34	7.36	2.48	4.88	1.78	VB030M
4"	16.53	21.02	7.50	6.93	7.76	2.48	5.28	2.05	VB060M
5"	18.02	23.02	8.50	10.63	10.47	6.50	3.98	2.14	VB110M
6"	18.58	24.05	9.50	10.63	10.47	6.50	3.98	2.20	VB190M
8"	19.96	26.85	11.75	10.83	10.98	7.24	3.74	2.34	VB270M
10"	21.22	29.21	14.25	10.83	10.98	7.24	3.74	2.58	VB350M
12" **	CONSULT FACTORY								

\* - available on MEN501S only

# ON/OFF WIRING DIAGRAM - VB030M -VB350M

12V AC/DC, 24V AC/DC & 100-240VAC



# POSITIONER WIRING DIAGRAM - VB030M -VB350M

12V AC/DC, 24V AC/DC & 100-240VAC

