



JOB NAME:	CONTRACTOR:
JOB LOCATION:	APPROVAL:
ENGINEER:	CONTRACTOR P.O.:
APPROVAL:	REPRESENTATIVE:

8E065LF-00 *

355NLF DIRECT MOUNT, 3-WAY LEAD-FREE BRASS, "T" PORT BALL VALVE W/ELECTRIC ACTUATOR
SIZES 1/4" TO 3"

8E066LF-00 *

365NLF DIRECT MOUNT, 3-WAY LEAD-FREE BRASS, "L" PORT BALL VALVE W/ELECTRIC ACTUATOR
SIZES 1/4" TO 3"

*001 12V AC/DC	*002 24V AC/DC	*003 100-240V AC
01 BATTERY BACKUP	*02* POSITIONER	*04* BATTERY BACKUP W POSITIONER

SPECIFICATIONS

The 8E065LF 3-way T port and 8E066LF L port lead-free low torque brass ball valves using the light weight VB series technopolymer electric actuator offer the best in durability for commercial and light industrial applications.

The 8E065LF lead-free series 3-way T port with its four-seated design can allow straight through flow, diversion, and complete shut-off capability. The 8E066LF L port is also four seated, allowing one to utilize any port as an entry. The valve is also approved under the NSF standard 61/372 for potable water use.

The VB electric actuator features a NEMA 4, 4X housing, two extra limit switches, a heater and thermostat, torque limiter, special manual override, and a 75% duty cycle motor. PG11 connections are standard, with optional 1/2" conduit.

ACTUATOR FEATURES

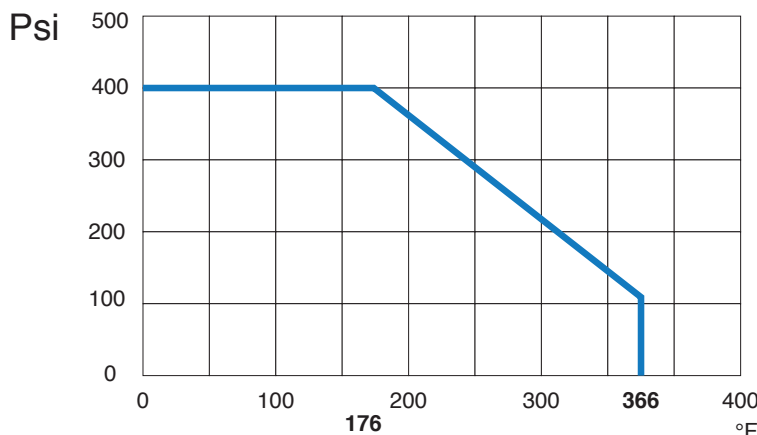
- NEMA 4, 4X Housing - CSA, UL approved
- 12V/24V AC/DC and 100-240V AC Models Available
- ISO 5211, F03/F05 base with 11mm female drive
- VB015 -12/24V AC - 50% Duty Cycle
- VB030-VB060 - 12/24V DC and 100-240V AC - 75% Duty Cycle
- High-Strength, Impact Resistant IP67 Technopolymer Housing
- Temperature Range -4°F to 131°F
- PG11 Electrical Connection/Optional
- 1/2" Conduit

VALVE FEATURES

- Lead-Free Brass - NSF 61/372
- Standard Port, Sizes 1/4" to 3"
- ISO 5211 pad and square stem
- Pressure rating to 400 WOG
- Temperature range -4°F to 366°F
- Four (4) seat design for sealing between pressured ports
- Blow-out proof stem, chrome plated brass ball
- Low torque design with back up O-ring seats
- Double O-ring stem seal design for extended cycle life
- 100% electronically tested in the open and closed position@80 Psi

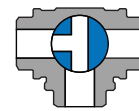


PRESSURE - TEMPERATURE CHART FOR SERIES 355NLF & 365NLF

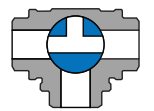


FLOW PATH VARIATIONS

T-PORT FLOW PATH A

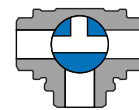


POSITION 1

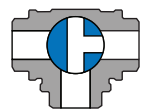


POSITION 2

T-PORT FLOW PATH B

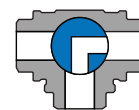


POSITION 1

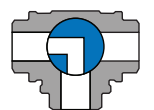


POSITION 2

L-PORT FLOW PATH A

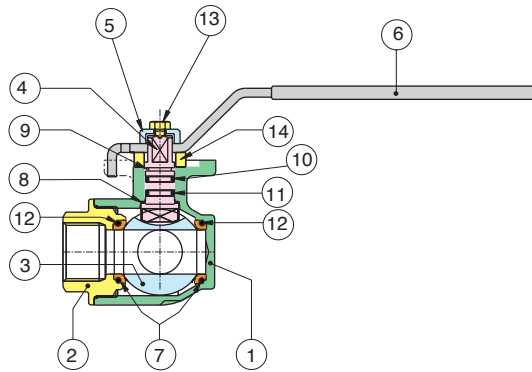


POSITION 1



POSITION 2

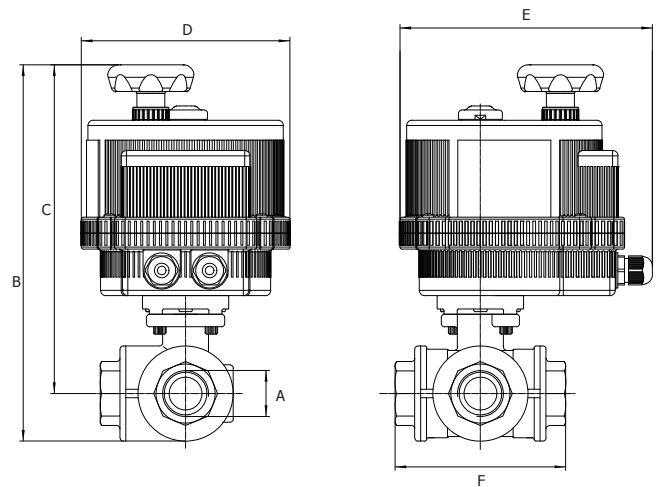
BILL OF MATERIALS FOR 355NLF & 365NLF



N POS	PART NAME	MATERIAL	N PCS
1	BODY	LF BRASS C28500	1
2	END CONNECTION	LF BRASS C28500	1
3	END CONNECTION	LF BRASS C28500	1
4	BALL	LF BRASS C28500	1
5	BALL SEAT	P.T.F.E.	3
6	BALL SEAT	P.T.F.E.	1
7	O-RING	FKM (Viton)	4
8	STEM	LF BRASS C28500	1
9	BUSH	BRASS C38500	1
10	WASHER	NYLON (PA6)	1
11	THRUST WASHER	P.T.F.E.	1
12	O-RING	EPDM	1
13	O-RING	FKM (Viton)	1
14	THRUST WASHER	P.T.F.E.	1
15	SCREW	STEEL CL 8.8	1
16	HANDLE	STEEL DD11	1

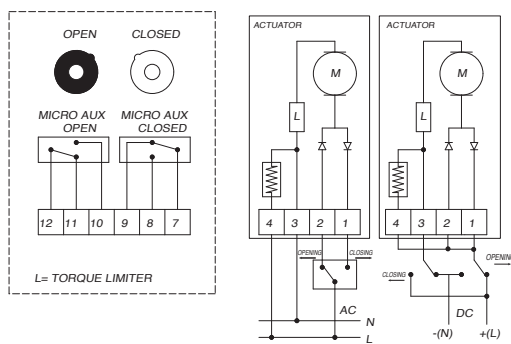
DIMENSIONS

Size	A	B	C	D	E	F	ACT.
1/4"	0.39	7.44	6.77	4.84	6.41	2.64	VB015
3/8"	0.43	7.44	6.77	4.84	6.41	2.64	VB015
1/2"	0.43	7.44	6.77	4.84	6.41	2.87	VB015
3/4"	0.59	7.63	6.86	4.84	6.41	3.19	VB015
1"	0.79	9.98	9.03	6.18	7.50	3.74	VB030
1-1/4"	0.98	10.40	9.25	6.18	7.50	4.39	VB030
1-1/2"	1.26	11.1	9.74	6.18	7.50	4.86	VB030
2"	1.57	13.0	11.3	7.28	8.43	5.73	VB060
2-1/2"	1.95	13.3	11.9	7.28	8.43	6.93	VB060
3"	1.95	13.3	11.9	7.28	8.43	7.08	VB060

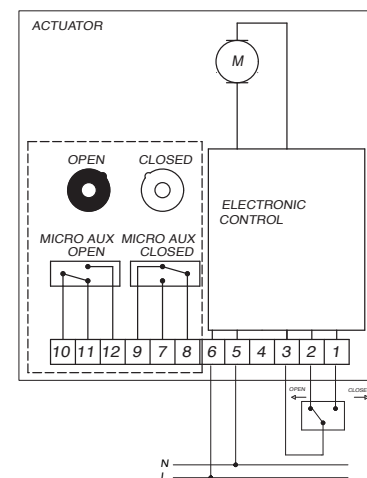


ON/OFF WIRING DIAGRAM - VB015

12V AC/DC, 24V AC/DC & 100-240VAC



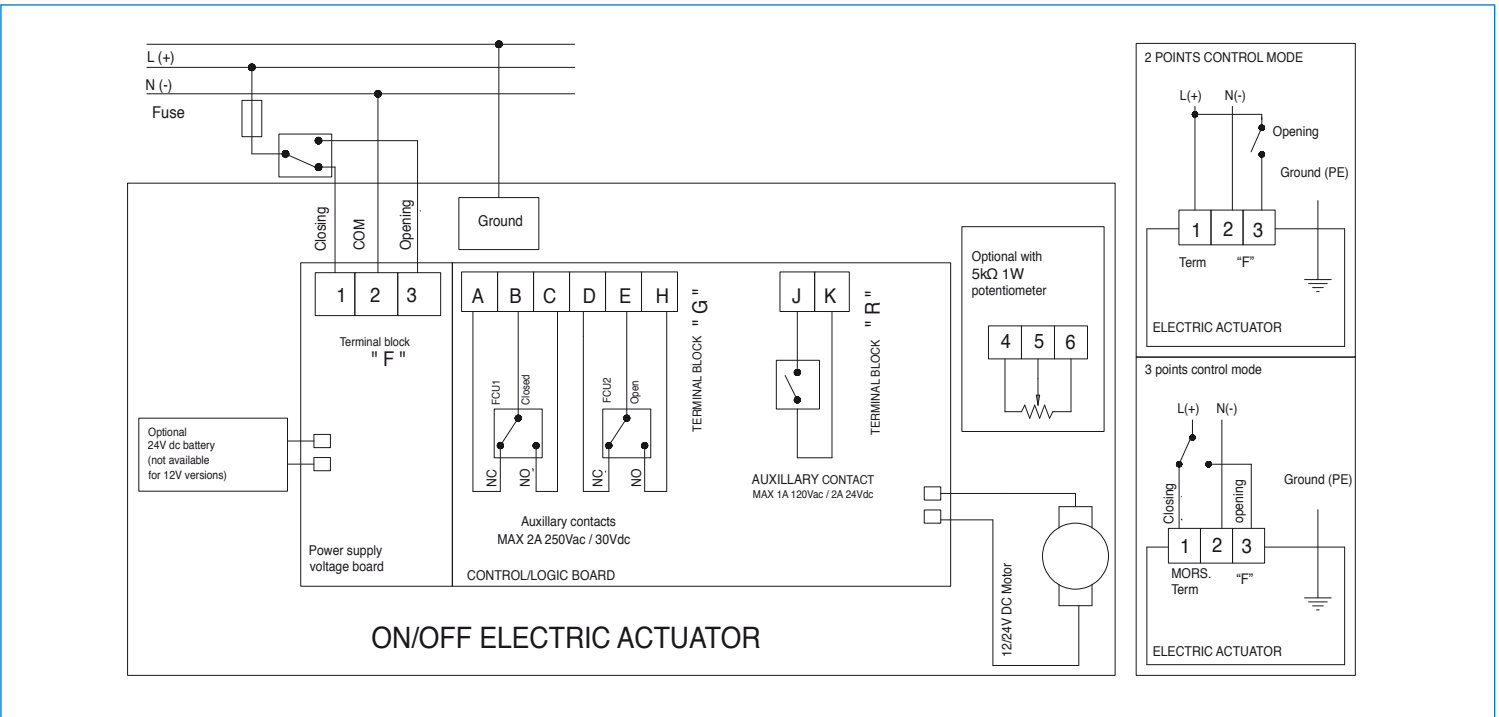
12V AC/DC & 24V AC/DC



100-240V AC

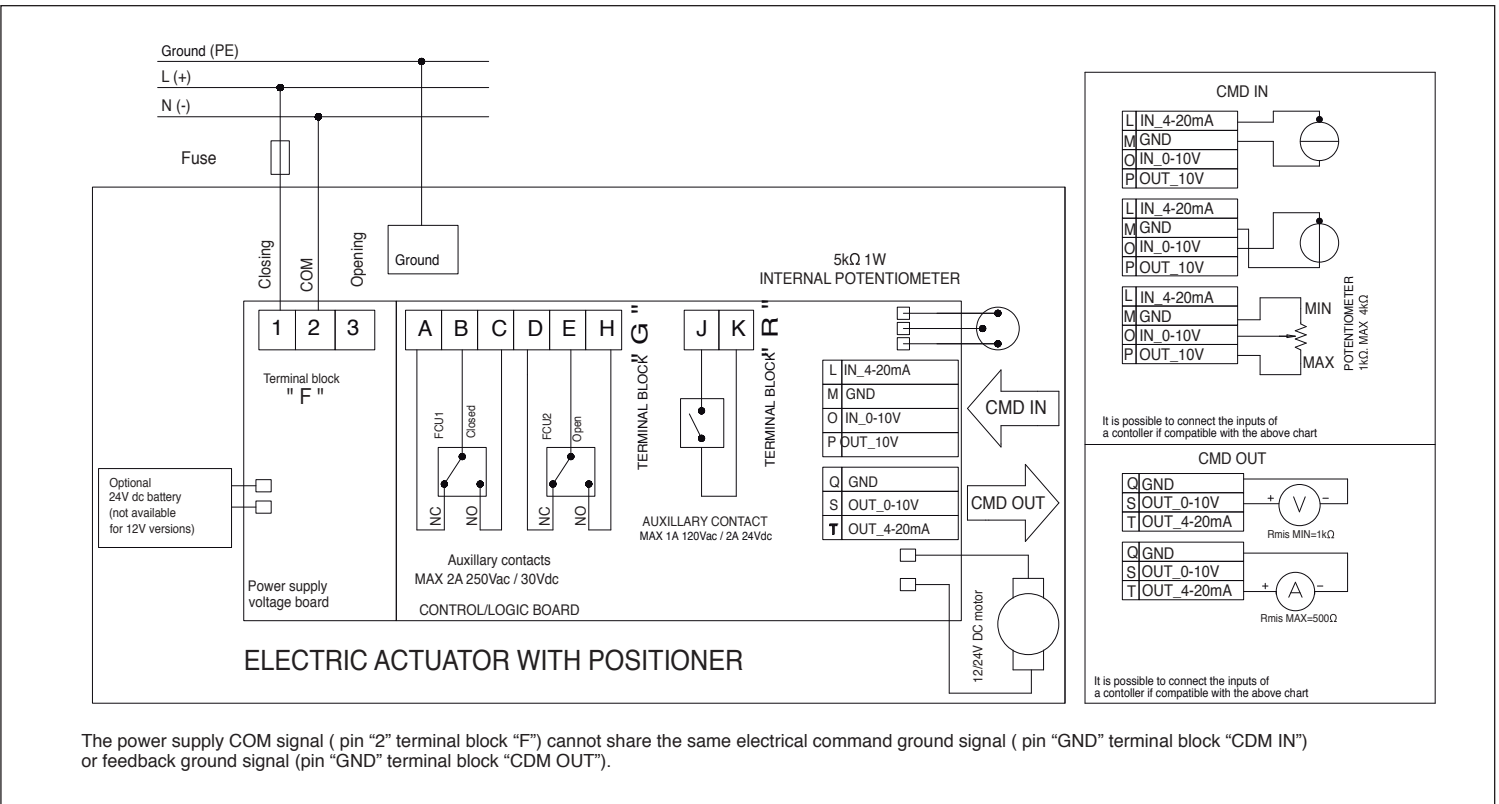
ON/OFF WIRING DIAGRAM - VB030 -VB060

12V AC/DC, 24V AC/DC & 100-240VAC



POSITIONER WIRING DIAGRAM - VB030 -VB060

12V AC/DC, 24V AC/DC & 100-240VAC



The power supply COM signal (pin "2" terminal block "F") cannot share the same electrical command ground signal (pin "GND" terminal block "CDM IN") or feedback ground signal (pin "GND" terminal block "CDM OUT").