



JOB NAME:	CONTRACTOR:
JOB LOCATION:	APPROVAL:
ENGINEER:	CONTRACTOR P.O.:
APPROVAL:	REPRESENTATIVE:

8E3210-00*

3210L DIRECT MOUNT, 3-WAY BRASS DIVERTER "L" PORT BALL VALVE W/ PLASTIC THREE-POSITION ELECTRIC ACTUATOR

SIZES 1/2" TO 1"

*061 12V AC/DC W THREE POS.	*062 24V AC/DC W THREE POS.	*063 100-240VAC W THREE POS.
*082 24V AC/DC W THREE POS. & BATT. BACKUP	*083 100-240VAC W THREE POS. & BATT. BACKUP	

SPECIFICATIONS

The 8E3210 electric actuated brass package features the RB 3210L L-ported nickel-plated forged brass body designed to accept flow through a bottom inlet port and redirect it out to one of the other outlet ports. The 3210L is made with BSP threads and is compatible with male NPT threads.

The Valbia VB series actuator housing is made from a high impact resistant technopolymer, and standardly features dual voltages, two extra limit switches, a heater & thermostat, a torque limiter, dual ISO patterns, female star drive, position indicator, PG11 connections, and a 75% duty cycle motor. The actuator is also NEMA 4,4X rated. Options include positioning boards, battery backups, or a combination of the two.

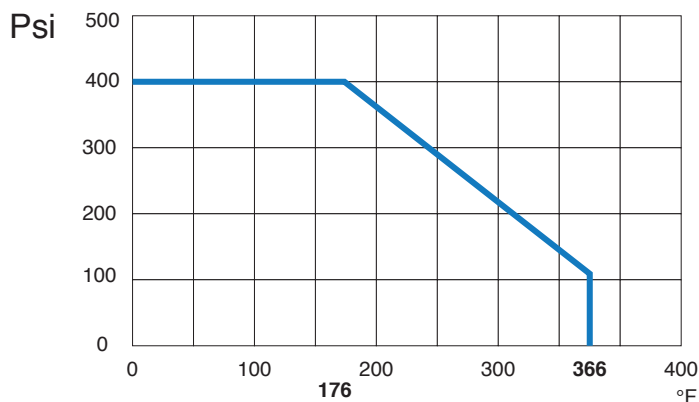
ACTUATOR FEATURES

- Three-position Electric Actuator
- NEMA 4, 4X Housing - CSA, UL approved
- 12V/24V AC/DC and 100-240V AC Models Available
- ISO 5211 dual patterns
- High-Strength, Impact Resistant IP67 Technopolymer Housing
- Temperature Range -4°F to 131°F
- PG11 Electrical Connection/Optional 1/2" Conduit

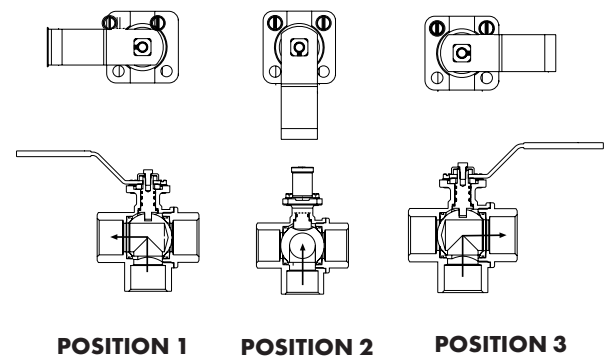
VALVE FEATURES

- Brass, BSP threads
- Full Port, Sizes 1/2" to 1"
- ISO 5211 pad and square stem
- Pressure rating to 400 WOG
- Temperature range -4°F to 366°F
- P.T.F.E. seats and seals
- One (1) Viton stem seal and one (1) EPDM stem seal
- Blow-out proof stem, chrome plated brass ball
- 100% electronically tested in the open and closed position@80 Psi

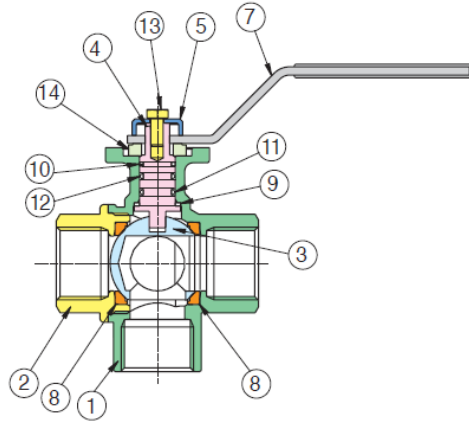
PRESSURE - TEMPERATURE CHART FOR SERIES 3210L



FLOW PATH



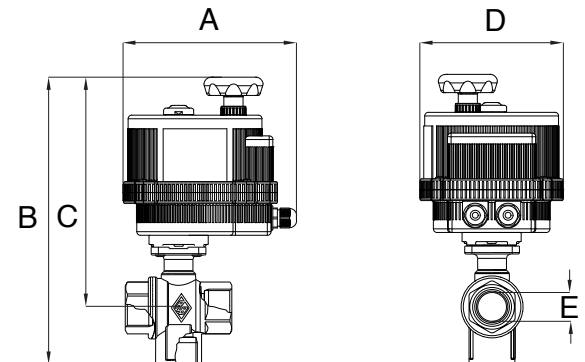
BILL OF MATERIALS FOR 3210L



N POS	PART NAME	MATERIAL	N PCS
1	BODY	BRASS CW617N UNI EN 12165	1
2	END CONNECTION	BRASS CW617N UNI EN 12165	1
3	BALL	BRASS CW617N UNI EN 12165	1
4	STEM	BRASS CW614N UNI EN 12164	1
5	GLAND	BRASS CW614N UNI EN 12164	1
6	PIN	BRASS CW614N UNI EN 12164	2
7	HANDLE	STEEL DD11 UNI EN 10111	1
8	BALL SEAT	P.T.F.E.	2
9	ANTIFRICTION SEAT	P.T.F.E.	1
10	ANTIFRICTION SEAT	P.T.F.E.	1
11	O-RING	FKM	2
12	O-RING	EPDM	2
13	SCREW	STEEL	1
14	WASHER	PA6	1

DIMENSIONS

Size	A	B	C	D	E	ACT.
1/2"	7.48	9.94	8.62	6.18	0.50	VB030
3/4"	7.48	10.60	9.05	6.18	0.75	VB030
1"	7.48	11.02	9.17	6.18	1.00	VB030



THREE-POSITION WIRING DIAGRAM - VB030

12V AC/DC, 24V AC/DC & 100-240VAC

