



JOB NAME:	CONTRACTOR:
JOB LOCATION:	APPROVAL:
ENGINEER:	CONTRACTOR P.O.:
APPROVAL:	REPRESENTATIVE:

8E700076V36-0* - 8E700076V6-0* - 8E700076V9-0*
30-60° BALL 60° BALL 90° BALL

700076V36/V6/V9 2-WAY STAINLESS STEEL DIRECT MOUNT, V-PORT BALL VALVE WITH PLASTIC ELECTRIC ACTUATOR WITH POSITIONER OR POSITIONER W/ BATTERY BACKUP

SIZES 1/2" TO 2"

*022 24V AC/DC W POSITIONER	*023 100-240V AC W POSITIONER
*042 24V AC/DC W POSITIONER & BATTERY BACKUP	*043 100-240V AC W POSITIONER & BATTERY BACKUP

SPECIFICATIONS

The Bonomi 8E700076V36-V6-V9 series electric actuated V-ball valve offers precise proportional control in the smallest total envelope in our industry. This is due to the low torque design of the 700076V stainless steel 30-60, 60, 90 degree V-port ball valve with 23% carbon-filled and 2% graphite-filled seats. Further the 700076V36-V6-V9 incorporates dual Viton O-ring stem seals for leak free and long-lasting performance. The VB electric actuator features a NEMA 4, 4X housing, two extra limit switches, a heater and thermostat, torque limiter, special manual override, and a 75% duty cycle motor. PG11 connections are standard, with optional 1/2" conduit.

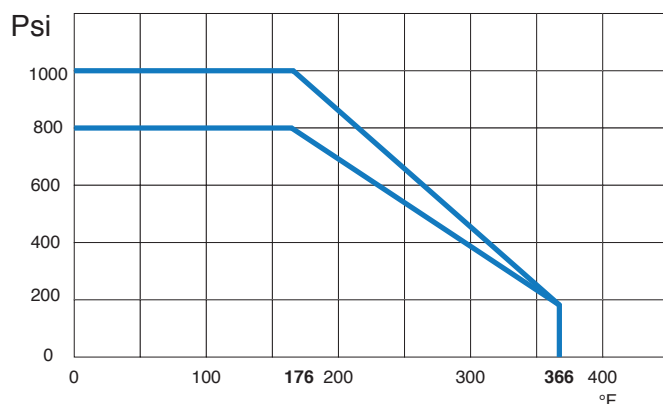
ACTUATOR FEATURES

- NEMA 4, 4X Housing - CSA, UL approved
- 12V/24V AC/DC and 100-240V AC Models Available
- ISO 5211, F03/F05 base with 11mm female drive
- VB015 -12/24V AC - 50% Duty Cycle
- VB030-VB110 - 12/24V DC and 100-240V AC - 75% Duty Cycle
- High-Strength, Impact Resistant IP67 Technopolymer Housing
- Temperature Range -4°F to 131°F
- PG11 Electrical Connection/Optional
- 1/2" Conduit

VALVE FEATURES

- 30-60°, 60°, 90° V-port, sizes 1/2" to 3"
- 1/2" to 3" - Pressure rating 1000 psi, 150 psi steam
- Temperature range -4°F to 366°F
- Blow out proof stem
- 23% Carbon-Filled P.T.F.E. and 2% Graphite Filled P.T.F.E. seats
- Low operating torque
- P.T.F.E. seals and double O-ring stem packing
- 100° electronically tested in the open and closed position at 80 psi
- ISO 5211 mounting pad/square stem
- ANSI B1.20.1 connections

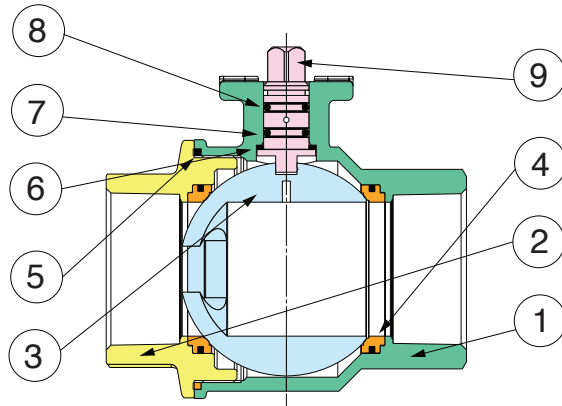
PRESSURE - TEMPERATURE CHART FOR SERIES 700076V36/V6/V9



8E700076V36/V6/V9 V-BALL SERIES MODEL OPTIONS

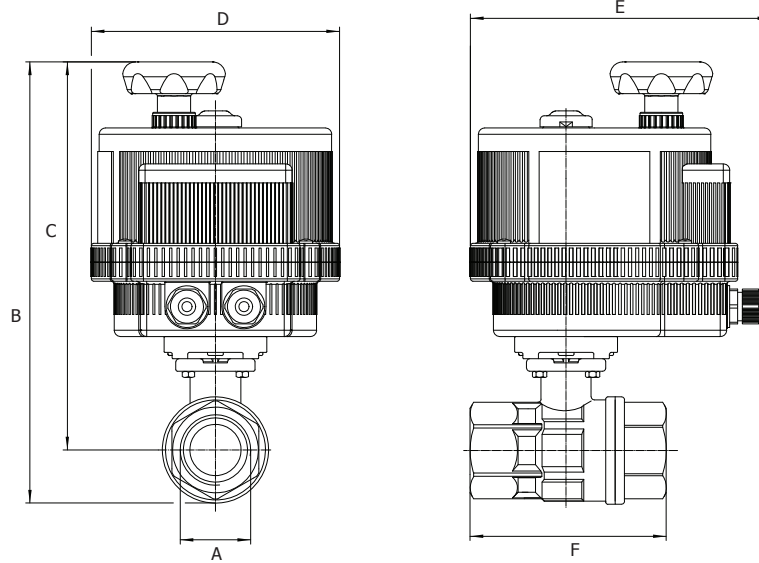
	90° V-BALL
	8E700076V9-0*
	60° V-BALL
	8E700076V6-0*
	30-60° V-BALL
	8E700076V36-0*

BILL OF MATERIALS FOR 700076V36-V6-V9



N POS	PART NAME	MATERIAL	N PCS
1	BODY	A351-CF8M	1
2	END CONNECTION	A351-CF8M	1
3	BALL	A182-F316	1
4	BALL SEAT	23% CARBON + 2% GRAPHITE FILLED P.T.F.E.	2
5	BODY SEAT	P.T.F.E.	1
6	ANTI-FRICTION RING	TFM	1
7	O-RING	FKM (Viton)	2
8	STEM SEAT	Virgin P.T.F.E.	1
9	STEM	A182-F316	1

DIMENSIONS



Size	A	B	C	D	E	F	ACT.
1/2"	.500	7.53	6.85	6.18	6.41	2.63	VB030
3/4"	.750	7.76	6.93	6.18	6.41	3.07	VB030
1"	1.00	8.33	7.32	6.18	6.41	3.54	VB030
1-1/4"	1.25	8.73	7.46	6.18	6.41	3.93	VB030
1-1/2"	1.50	11.3	9.92	6.18	7.50	4.15	VB030
2"	2.00	12.0	10.2	6.18	7.50	4.80	VB030
2-1/2"	2.50	14.2	11.9	7.28	8.43	6.10	VB060
3"	3.00	14.9	12.3	7.28	8.43	6.89	VB060

CV VERSUS VALVE OPENING PERCENTAGE

Size	Degree	10°	20°	30°	40°	50°	60°	70°	80°	90°
1/2"	30-60°	0.05	0.06	0.20	0.50	0.80	1.40	2.20	3.60	5.30
	60°	0.05	0.06	0.30	0.80	1.40	2.50	4.20	7.10	10.80
	90°	0.06	0.08	0.40	1.00	1.90	3.40	6.10	10.50	15.80
3/4"	30-60°	0.00	0.10	0.50	1.00	1.80	3.00	4.70	7.80	11.40
	60°	0.09	0.19	0.50	1.20	2.20	3.80	6.70	11.60	19.80
	90°	0.09	0.19	0.50	1.40	2.80	5.00	9.00	16.70	27.50
1"	30-60°	0.00	0.10	0.70	1.50	2.70	4.30	6.90	10.90	14.90
	60°	0.00	0.18	0.80	2.00	3.60	6.20	9.80	17.10	26.90
	90°	0.00	0.13	0.80	2.30	4.40	8.20	13.90	24.10	39.20
1-1/4"	30-60°	0.00	0.20	0.70	1.30	2.30	3.90	6.50	11.30	18.00
	60°	0.00	0.40	1.30	2.50	4.50	7.60	12.70	21.90	36.00
	90°	0.00	0.80	2.20	4.50	8.00	13.40	22.40	38.80	64.00
1-1/2"	30-60°	0.13	0.20	1.20	2.90	5.30	8.80	13.90	21.30	31.20
	60°	0.13	0.40	1.60	3.60	7.90	15.70	23.80	38.10	61.50
	90°	0.13	0.80	2.90	6.60	12.00	20.80	35.80	62.30	114.10
2"	30-60°	0.04	1.40	3.90	7.40	12.30	19.20	28.30	42.60	61.70
	60°	0.15	1.30	4.40	9.20	16.10	26.60	44.10	69.70	101.10
	90°	0.15	1.50	5.60	11.50	21.40	36.80	63.50	108.20	184.60
2-1/2"	30-60°	0.06	2.19	6.13	11.49	19.24	30.03	44.19	66.64	96.37
	60°	0.24	2.07	6.82	14.33	25.08	41.58	68.92	108.96	157.93
	90°	0.24	2.41	8.67	18.00	33.47	57.52	99.19	168.99	288.42
3"	30-60°	0.32	2.20	7.10	13.90	23.80	37.00	57.60	86.60	128.10
	60°	0.31	3.00	9.60	20.40	35.00	58.50	94.60	147.00	233.60
	90°	0.31	3.70	12.70	26.40	49.40	85.80	140.80	242.20	418.70

POSITIONER WIRING DIAGRAM - VB030M - VB190M

12V AC/DC, 24V AC/DC & 100-240VAC

