



JOB NAME:	CONTRACTOR:
JOB LOCATION:	APPROVAL:
ENGINEER:	CONTRACTOR P.O.:
APPROVAL:	REPRESENTATIVE:

## 8E723101-00\*

**723101 2-WAY STAINLESS STEEL, ANSI 150 FLANGED, DIRECT MOUNT WAFER STYLE, FULL PORT BALL VALVE WITH VALBIA PLASTIC ELECTRIC ACTUATOR**

**SIZES 1" TO 4"**

*001	12V AC/DC	*002	24V AC/DC	*003	100-240V AC
*01*	BATTERY BACKUP	*02*	POSITIONER	*04*	BATTERY BACKUP W POSITIONER

### SPECIFICATIONS

The 8E723101 electric actuated package features the ANSI Class 150 full port stainless steel space saving, 723101 series direct mount, low torque, wafer style ball valve. This ball valve series feature a double O-ring stem seal, grounded ball & stem, and incorporates an ISO 5211 mounting pad and square stem. Sizes are 1"-4".

The Valbia VB series actuator housing is made from a high impact resistant technopolymer, and standardly features dual voltages, two extra limit switches, a heater & thermostat, a torque limiter, dual ISO patterns, female star drive, position indicator, PG11 connections, and a 75% duty cycle motor. The actuator is also NEMA 4,4X rated. Options include positioning boards, battery backups, or a combination of the two.

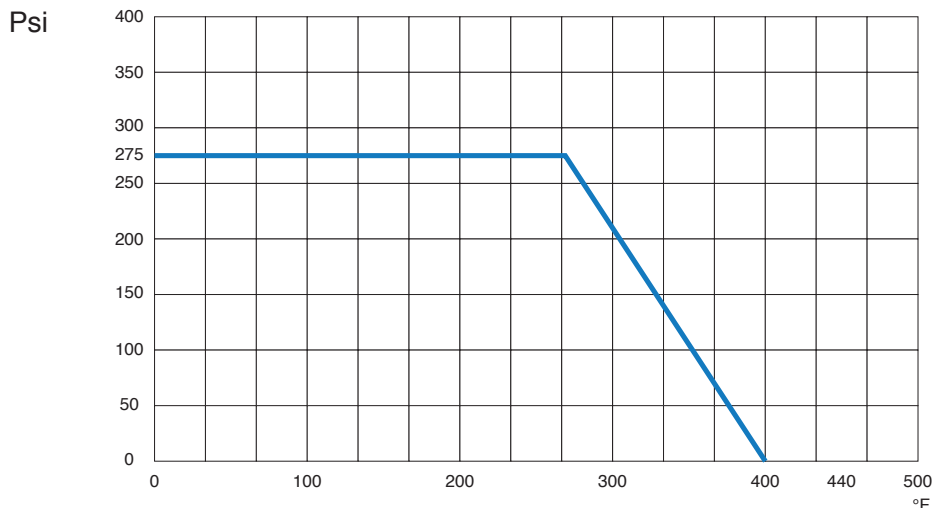
### ACTUATOR FEATURES

- NEMA 4, 4X IP67 Housing
- CSA, UL approved
- 12V/24V AC/DC and 100-240V AC Models Available
- ISO 5211 dual patterns
- VB030-VB110 - 12/24V DC and 100-240V AC - 75% Duty Cycle
- High-Strength, Impact Resistant IP67 Technopolymer Housing
- Heater & Thermostat
- Torque Limiter
- Temperature Range -4°F to 131°F
- PG11 Electrical Connection/Optional 1/2" Conduit

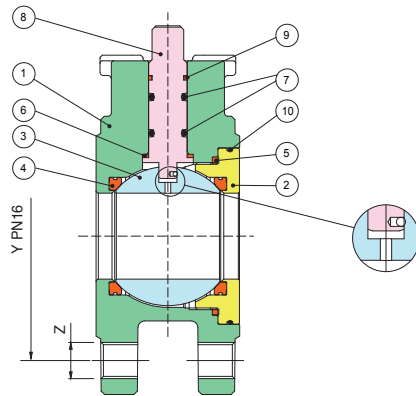
### VALVE FEATURES

- Direct mount, Stainless steel ANSI class 150 Wafer-style flanged ball valve
- Full port, sizes 1" to 4"
- Temperature range -4°F to +366°F
- Anti-static Stem Device
- Dual Stem Seal O-rings FKM (Viton)
- TFM Stem Seal
- ISO 5211 mounting pad/square stem
- Low Torque Design
- TFM Encapsulated Flex Seat Design
- 17-4 PH stem

### PRESSURE - TEMPERATURE CHART FOR SERIES 723101

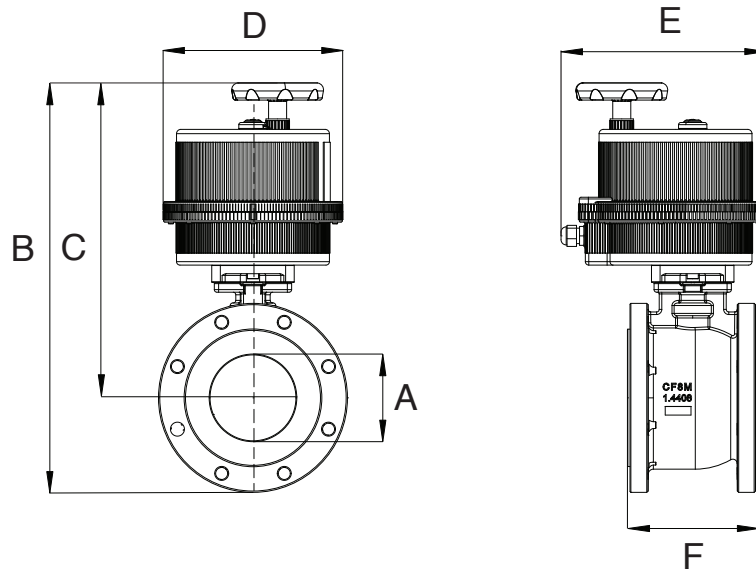


## BILL OF MATERIALS FOR 723101



N POS	PART NAME	MATERIAL	N PCS
1	BODY	A351-CF8M	1
2	END CONNECTION	A479-Tp316/A182-F316	1
3	BALL	A351-CF8M	1
4	BALL SEAL	TFM®	2
5	BODY SEAT	P.T.F.E.	1
6	THRUST WASHER	TFM®	1
7	O-RING	FKM (Viton®)	2
8	STEM	A564-Tp630 H1150D (17-4-PH)	1
9	STEM SEAL	P.T.F.E.	1
10	O-RING	FKM (Viton®)	1

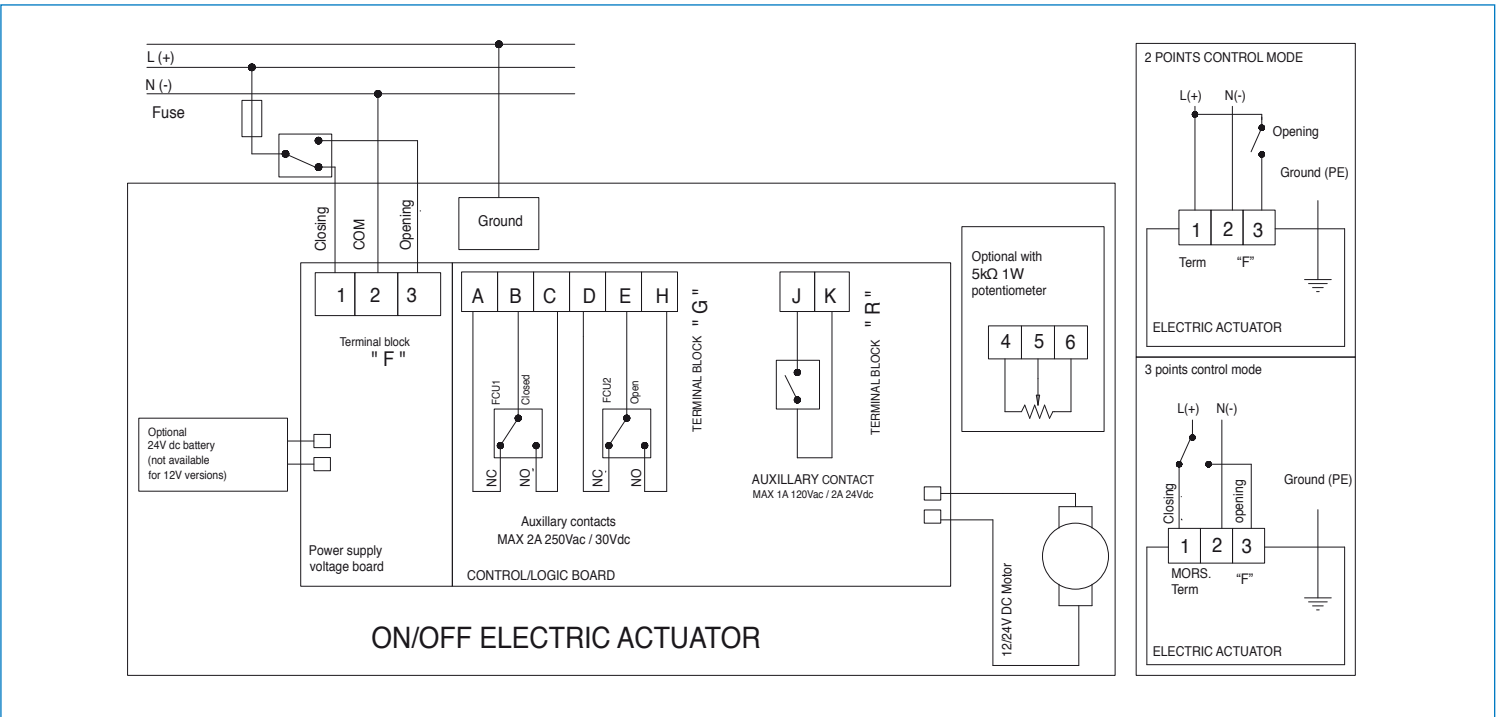
## DIMENSIONS



Size	A	B	C	D	E	F	G	ACT.
1"	1.00	12.06	9.73	6.18	7.51	1.89	4.33	VB030
1-1/4"	1.25	13.08	10.24	6.18	7.51	2.13	5.11	VB030
1-1/2"	1.50	13.70	10.55	6.18	7.51	2.50	5.51	VB030
2"	2.00	14.34	10.87	6.18	7.51	3.23	5.90	VB030
2-1/2"	2.50	17.12	12.79	7.28	8.46	4.06	6.88	VB060
3"	3.00	17.90	13.18	7.28	8.46	4.80	7.48	VB060
4"	4.00	19.72	14.43	7.28	8.46	5.98	8.66	VB110

# ON/OFF WIRING DIAGRAM - VB030 -VB 110

12V AC/DC, 24V AC/DC & 100-240VAC



# POSITIONER WIRING DIAGRAM - VB030 - VB110

12V AC/DC, 24V AC/DC & 100-240VAC

