



JOB NAME:	CONTRACTOR:
JOB LOCATION:	APPROVAL:
ENGINEER:	CONTRACTOR P.O.:
APPROVAL:	REPRESENTATIVE:

**M8E723102V36-0\* - M8E723102V6-0\* - M8E723102V9-0\***  
**30-60° BALL                      60° BALL                      90° BALL**

**723102V36/V6/V9, 2-WAY STAINLESS STEEL, ANSI 150 FLANGED, DIRECT MOUNT WA-  
 FER STYLE, FULL PORT BALL VALVE WITH METAL ELECTRIC ACTUATOR WITH POSITIONER  
 OR POSITIONER W/ BATTERY BACKUP**

**SIZES 1" TO 4"**

<b>*021</b> 12V AC/DC W POS.	<b>*022</b> 24V AC/DC W POS.	<b>*023</b> 100-240VAC W POS.
<b>*042</b> 24V AC/DC W POS. & BATT. BACKUP	<b>*043</b> 100-240VAC W POS. & BATT. BACKUP	

## SPECIFICATIONS

The Bonomi 8E723102V36/V6/V9 series electric packages features the ANSI Class 150 30-60, 60, and 90 degree V-port stainless steel space saving, 723102V36/V6/V9 series direct mount, low torque, wafer style ball valve. This ball valve series feature a double O-ring stem seal, grounded ball & stem, and incorporates an ISO 5211 mounting pad and square stem. Sizes are 1"-4"

The Valbia VB series actuator housing is made from a high impact resistant technopolymer, and standardly features dual voltages, two extra limit switches, a heater & thermostat, a torque limiter, dual ISO patterns, female star drive, position indicator, PG11 connections, and a 75% duty cycle motor. The actuator is also NEMA 4,4X rated. Options include positioning boards, battery backups, or a combination of the two.

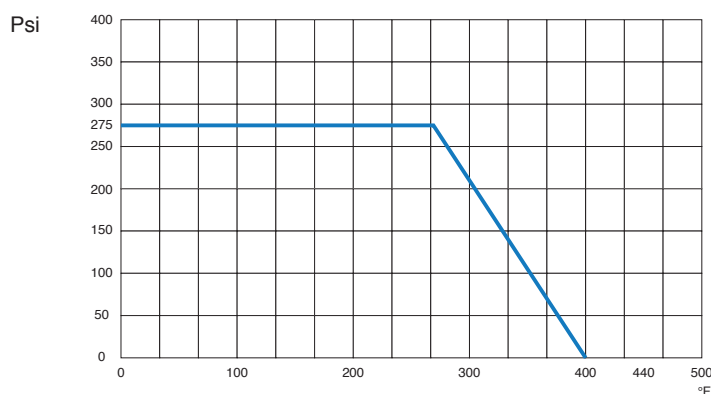
## ACTUATOR FEATURES

- NEMA 4, 4X IP67 Housing
- CSA, UL approved
- 12V/24V AC/DC and 100-240V AC Models Available
- ISO 5211 dual patterns
- VB030-VB110 - 12/24V DC and 100-240V AC - 75% Duty Cycle
- High-Strength, Impact Resistant IP67 Technopolymer Housing
- Heater & Thermostat
- Torque Limiter
- Temperature Range -4°F to 131°F
- PG11 Electrical Connection/Optional 1/2" Conduit

## VALVE FEATURES

- Direct mount, Stainless steel ANSI class 150 Wafer-style flanged ball valve
- 30-60, 60, and 90 degree V-port, sizes 1" to 4"
- Temperature range -4°F to +366°F
- Anti-static Stem Device
- Blow out proof stem
- 23% Carbon-filled P.T.F.E. and 2% Graphite-filled P.T.F.E. seats
- P.T.F.E. seats and double O-ring stem packing
- 100% electronically tested in the open and closed position at 80 psi
- ISO 5211 mounting pad/square stem
- Low Torque Design
- 17-4 PH stem

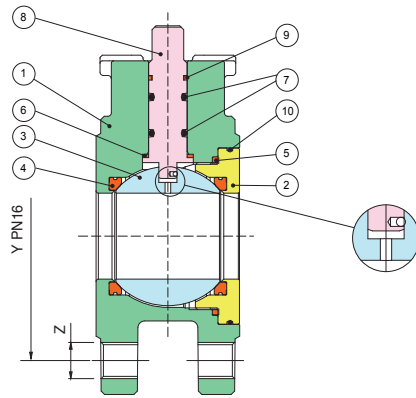
## PRESSURE - TEMPERATURE CHART FOR SERIES 723102V36/V6/V9



## 8E723102V36/V6/V9 V-BALL SERIES MODEL OPTIONS

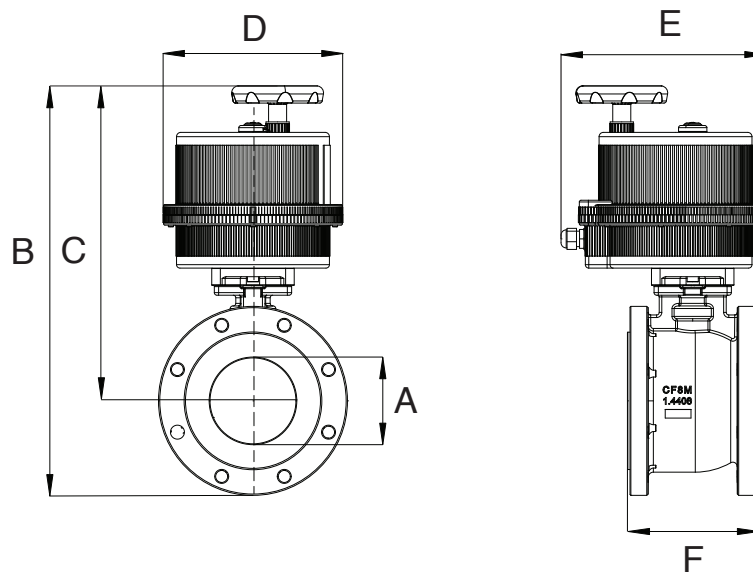
	<b>90° V-BALL</b>
	<b>8E723102V9</b>
	<b>60° V-BALL</b>
	<b>8E723102V6</b>
	<b>30-60° V-BALL</b>
	<b>8E723102V36</b>

## BILL OF MATERIALS FOR 723102V36-V6-V9



N POS	PART NAME	MATERIAL	N PCS
1	BODY	A351-CF8M	1
2	END CONNECTION	A479-Tp316/A182-F316	1
3	BALL	A351-CF8M	1
4	BALL SEAT	23% CARBON FILLED + 2% GRAPHITE FILLED P.T.F.E.	2
5	BODY SEAT	P.T.F.E.	1
6	THRUST WASHER	TFM®	1
8	STEM	A564-Tp630 H1150D (17-4-PH)	1
9	STEM SEAT	Virgin P.T.F.E.	1

## DIMENSIONS



Size	A	B	C	D	E	F	G	ACT.
1"	1.00	12.06	9.73	6.18	7.51	1.89	4.33	VB030
1-1/4"	1.25	13.08	10.24	6.18	7.51	2.13	5.11	VB030
1-1/2"	1.50	13.70	10.55	6.18	7.51	2.50	5.51	VB030
2"	2.00	14.34	10.87	6.18	7.51	3.23	5.90	VB030
2-1/2"	2.50	17.12	12.79	7.28	8.46	4.06	6.88	VB060
3"	3.00	17.90	13.18	7.28	8.46	4.80	7.48	VB060
4"	4.00	19.72	14.43	7.28	8.46	5.98	8.66	VB110

## CV VERSUS VALVE OPENING PERCENTAGE

Size	Degree	10%	20%	30%	40%	50%	60%	70%	80%	90%
1"	30-60°	0.0	0.1	0.4	0.8	1.4	2.4	4.0	6.9	11.0
	60°	0.0	0.3	0.8	1.6	2.7	4.6	7.7	13.4	22.0
	90°	0.0	0.5	1.4	2.8	4.9	8.2	13.7	23.7	39.0
1-1/4"	30-60°	0.0	0.2	0.7	1.3	2.3	3.9	6.5	11.3	18.0
	60°	0.0	0.4	1.3	2.5	4.5	7.6	12.7	21.9	36.0
	90°	0.0	0.8	2.2	4.5	8.0	13.4	22.4	38.8	64.0
1-1/2"	30-60°	0.0	0.3	1.0	2.0	3.5	5.9	9.8	17.0	28.0
	60°	0.0	0.7	2.0	4.0	7.1	11.9	20.0	34.5	57.0
	90°	0.0	1.1	3.3	6.6	11.6	19.5	32.6	56.4	93.0
2"	30-60°	0.0	0.5	1.5	3.1	5.5	9.2	15.4	26.7	44.0
	60°	0.0	1.1	3.1	6.3	11.1	18.7	31.2	54.0	89.0
	90°	0.0	2.0	6.0	12.0	21.2	35.6	59.5	102.9	170.0
2-1/2"	30-60°	0.1	2.2	6.1	11.5	19.2	30.0	44.2	66.6	96.4
	60°	0.2	2.1	6.8	14.3	25.1	41.6	68.9	109.0	157.9
	90°	0.2	2.4	8.7	18.0	33.5	57.5	99.2	169.0	288.4
3"	30-60°	0.0	1.3	3.9	7.8	13.8	23.2	38.9	67.2	111.0
	60°	0.0	2.7	7.9	16.0	28.2	47.4	79.3	137.1	227.0
	90°	0.0	4.7	13.6	27.3	48.1	80.9	135.4	234.1	387.0
4"	30-60°	0.0	2.1	6.1	12.3	21.6	36.3	60.8	105.2	174.0
	60°	0.0	4.3	12.4	25.0	44.1	74.1	124.1	214.5	355.0
	90°	0.0	8.1	23.6	57.5	83.8	140.8	235.7	407.5	675.0

## POSITIONER WIRING DIAGRAM - VB030 - VB350

12V AC/DC, 24V AC/DC & 100-240VAC

