

JOB NAME:	CONTRACTOR:
JOB LOCATION:	APPROVAL:
ENGINEER:	CONTRACTOR P.O.:
APPROVAL:	REPRESENTATIVE:

## 8P0224

**6600LL 2-WAY SEAL-WELDED CARBON STEEL, FNPT THREADED BALL VALVE WITH W/ DOUBLE ACTING ACTUATOR**

**SIZES 1/4" TO 2"**

## 8P0225

**6600LL 1-WAY SEAL-WELDED CARBON STEEL, FNPT THREADED BALL VALVE WITH W/ SPRING RETURN ACTUATOR**

**SIZES 1/4" TO 2"**

### SPECIFICATIONS

The 8P0224/8P0225 series features the Bonomi 6600LL full port, seal-welded design, WCB steel body, 316 SS ball & stem, with 25% carbon reinforced TFE seats, graphite stem packing, and a drilled and tapped rear mounting pad. A thermal relief hole in the stem slot is standard. In addition, the 6600LL has a grounded ball and stem, is NACE MR 0175 compliant, and is fire-safe.

The Valbia pneumatic actuator comes with a hard-anodized aluminum body, and powder coated end caps. In addition, all Valbia pneumatic actuators are standardly furnished with elevated temperature seals to 302F. The patented side loaded limit stops never enter the piston chamber eliminating extra possible leak paths.

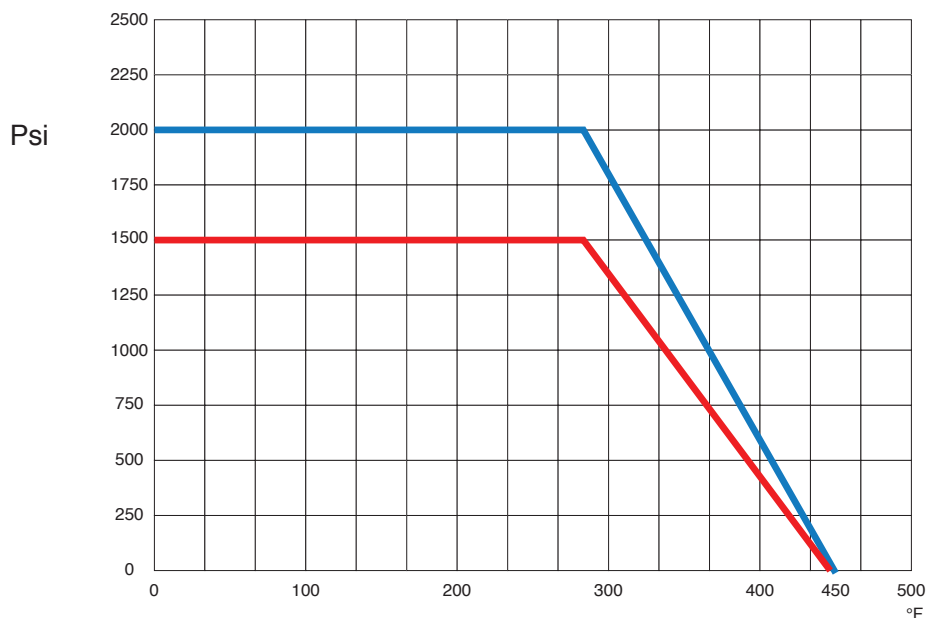
### ACTUATOR FEATURES

- Hard anodized extruded aluminum body
- Concentric spring sets
- Die cast aluminum end caps
- Solid steel barstock pinion (not casting)
- 0°-90° rotation adjustment cam
- 0°-90° rotation adjustment bolts
- POM piston guides
- Minimum air pressure rating: 80 psi
- Maximum air pressure rating: 116 psi
- Working temperature: -4°F - 302°F
- No lubrication maintenance required for the entire actuator lifetime
- 100% factory tested

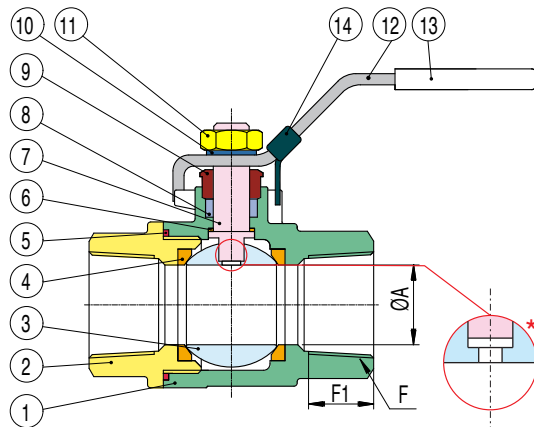
### VALVE FEATURES

- 2-piece Seal Welded WCB body
- Full port, sizes 1/4" to 2"
- Self adjusting stem packing
- Blow out proof stem design
- 100% air tested under water at 80 psi
- Pressure rating 1/4" to 1" 2000 psi
- 1-1/4" to 2" 1000 psi - 150 psi steam
- Temperature range -4°F to 450°F
- Mounting pad for actuator
- Thermal relief hole in stem slot

### PRESSURE - TEMPERATURE CHART FOR SERIES 6600LL



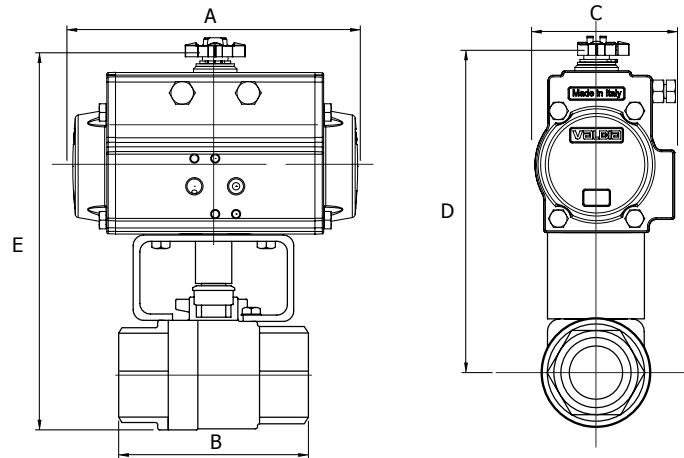
## BILL OF MATERIALS FOR 6600LL



\* THERMAL RELIEF HOLE IN THE STEM SLOT.

N POS	PART NAME	MATERIAL	N PCS
1	BODY	WCB	1
2	END CAP	WCB	1
3	BALL	AISI 316	1
4	SEAT	R.P.T.F.E.	2
5	JOIN GASKET	P.T.F.E.	2
6	THRUST WASHER	P.T.F.E.	1
7	STEM	AISI 316	1
8	V RING PACKING	P.T.F.E.	1
9	GLAND BUSH	STEEL	1
10	STEM WASHER	STEEL	1
11	STEM NUT	STEEL	1
12	HANDLE	STEEL	1
13	HANDLE SLEEVE	VINYL	1
14	LOCKING DEVICE	SS304	1

## DIMENSIONS



### 8P0224

6600LL W/ **DOUBLE ACTING** ACTUATOR

Size	A	B	C	D	E	ACT. DA
1/4"	4.33	2.16	1.77	6.55	7.46	32
3/8"	4.33	2.16	1.77	6.55	7.75	32
1/2"	4.33	2.55	1.77	6.96	7.57	32
3/4"	4.33	2.93	1.77	7.10	7.85	32
1"	5.55	3.46	2.80	7.03	8.05	52
1-1/4"	5.55	4.01	2.80	7.06	8.31	52
1-1/2"	6.46	4.33	3.17	7.84	9.34	63
2"	8.27	4.92	3.72	8.79	10.79	75

### 8P0225

6600LL W/ **SPRING RETURN** ACTUATOR

Size	A	B	C	D	E	ACT. SR
1/4"	5.55	2.16	2.80	6.39	6.89	52
3/8"	5.55	2.16	2.80	6.39	6.89	52
1/2"	5.55	2.55	2.80	6.80	6.89	52
3/4"	6.46	2.93	3.17	7.27	8.02	63
1"	8.27	3.46	3.72	8.20	9.21	75
1-1/4"	8.27	4.01	3.72	8.14	9.44	75
1-1/2"	9.47	4.33	4.17	9.10	10.60	85
2"	10.83	4.92	4.84	10.40	12.36	100