

JOB NAME:	CONTRACTOR:
JOB LOCATION:	APPROVAL:
ENGINEER:	CONTRACTOR P.O.:
APPROVAL:	REPRESENTATIVE:

## 8P0026

**700LL 2-WAY SEAL-WELD STAINLESS STEEL, FNPT THREADED BALL VALVE WITH W/ DOUBLE ACTING ACTUATOR**

**SIZES 1/4" TO 2"**

## 8P0027

**700LL 2-WAY SEAL-WELD STAINLESS STEEL, FNPT THREADED BALL VALVE WITH W/ SPRING RETURN ACTUATOR**

**SIZES 1/4" TO 2"**

### SPECIFICATIONS

The 8P0226/8P0227 series features the Bonomi 7700LL full port, seal-welded design, CF8M steel body, 316 SS ball & stem, with 25% carbon reinforced TFE seats, graphite stem packing, and a drilled and tapped rear mounting pad. A thermal relief hole in the stem slot is standard. In addition, the 7700LL has a grounded ball and stem, is NACE MR 0175 compliant, and is fire-safe.

The Valbia pneumatic actuator comes with a hard-anodized aluminum body, and powder coated end caps. In addition, all Valbia pneumatic actuators are standardly furnished with elevated temperature seals to 302F. The patented side loaded limit stops never enter the piston chamber eliminating extra possible leak paths.

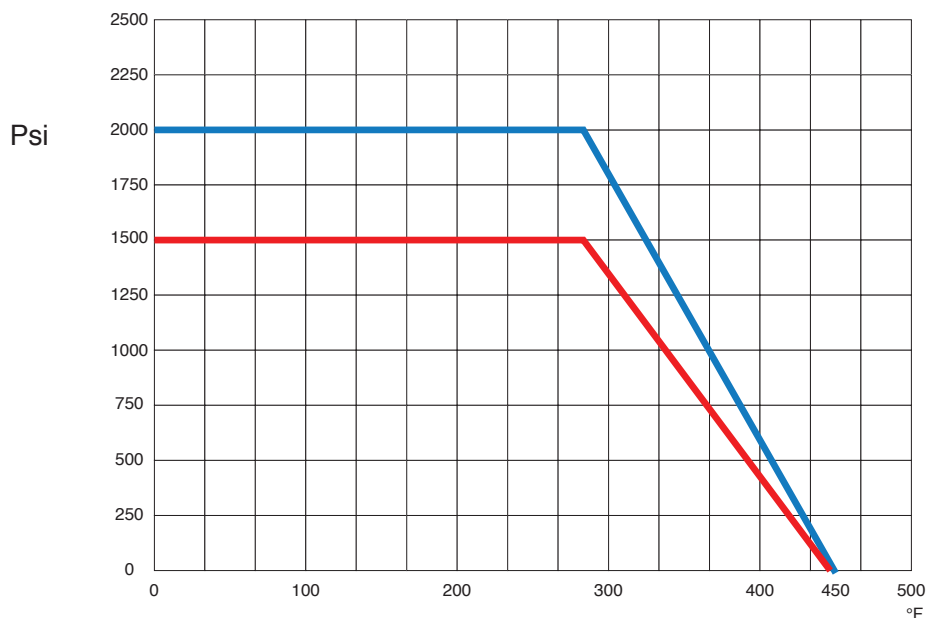
### ACTUATOR FEATURES

- Hard anodized extruded aluminum body
- Concentric spring sets
- Die cast aluminum end caps
- Solid steel barstock pinion (not casting)
- 0°-90° rotation adjustment cam
- 0°-90° rotation adjustment bolts
- POM piston guides
- Minimum air pressure rating: 80 psi
- Maximum air pressure rating: 116 psi
- Working temperature: -4°F - 302°F
- No lubrication maintenance required for the entire actuator lifetime
- 100% factory tested

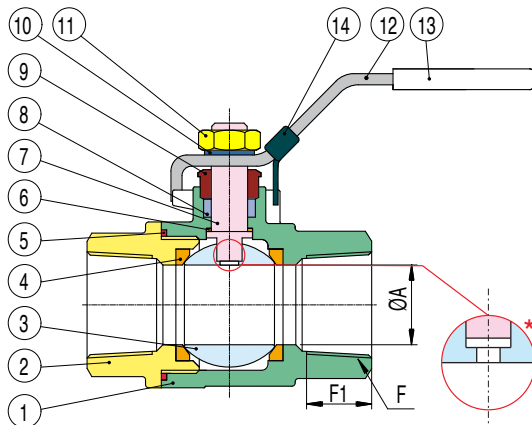
### VALVE FEATURES

- 2-piece Seal Welded CF8M body
- Full port, sizes 1/4" to 2"
- Self adjusting stem packing
- Blow out proof stem design
- 100% air tested under water at 80 psi
- Pressure rating 1/4" to 1" 2000 psi
- 1-1/4" to 2" 1000 psi - 150 psi steam
- Temperature range -4°F to 450°F
- Mounting pad for actuator
- Thermal relief hole in stem slot

### PRESSURE - TEMPERATURE CHART FOR SERIES 7700LL



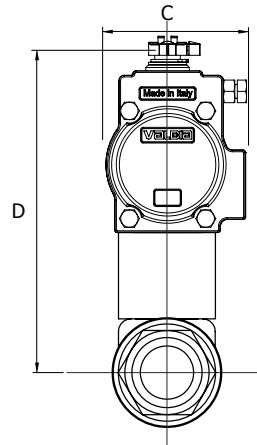
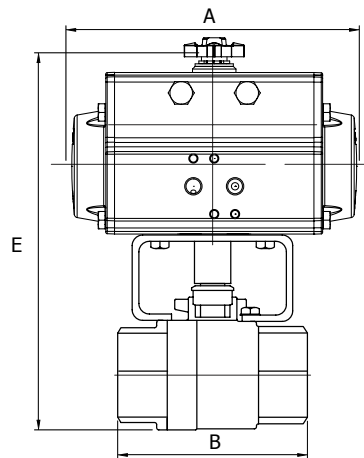
## BILL OF MATERIALS FOR 7700LL



\* THERMAL RELIEF HOLE IN THE STEM SLOT.

N POS	PART NAME	MATERIAL	N PCS
1	BODY	CF8M	1
2	END CAP	CF8M	1
3	BALL	SS 316	1
4	SEAT	R.P.T.F.E.	2
5	JOIN GASKET	P.T.F.E.	2
6	THRUST WASHER	P.T.F.E.	1
7	STEM	SS 316	1
8	V RING PACKING	P.T.F.E.	1
9	GLAND BUSH	SS 304	1
10	STEM WASHER	SS 304	1
11	STEM NUT	SS 304	1
12	HANDLE	SS 304	1
13	HANDLE SLEEVE	VINYL	1
14	LOCKING DEVICE	SS 304	1

## DIMENSIONS



### 8P0226

7700LL W/ **DOUBLE ACTING** ACTUATOR

Size	A	B	C	D	E	ACT. DA
1/4"	4.33	2.16	1.77	6.55	7.46	32
3/8"	4.33	2.16	1.77	6.55	7.75	32
1/2"	4.33	2.55	1.77	6.96	7.57	32
3/4"	4.33	2.93	1.77	7.10	7.85	32
1"	5.55	3.46	2.80	7.03	8.05	52
1-1/4"	5.55	4.01	2.80	7.06	8.31	52
1-1/2"	6.46	4.33	3.17	7.84	9.34	63
2"	8.27	4.92	3.72	8.79	10.79	75

### 8P0227

7700LL W/ **SPRING RETURN** ACTUATOR

Size	A	B	C	D	E	ACT. SR
1/4"	5.55	2.16	2.80	6.39	6.89	52
3/8"	5.55	2.16	2.80	6.39	6.89	52
1/2"	5.55	2.55	2.80	6.80	6.89	52
3/4"	6.46	2.93	3.17	7.27	8.02	63
1"	8.27	3.46	3.72	8.20	9.21	75
1-1/4"	8.27	4.01	3.72	8.14	9.44	75
1-1/2"	9.47	4.33	4.17	9.10	10.60	85
2"	10.83	4.92	4.84	10.40	12.36	100