

JOB NAME:	CONTRACTOR:
JOB LOCATION:	APPROVAL:
ENGINEER:	CONTRACTOR P.O.:
APPROVAL:	REPRESENTATIVE:

EP723102V36DA	30-60°	EP723102V36SR	30-60°
EP723102V6DA	60°	EP723102V6SR	60°
EP723102V9DA	90°	EP723102V9SR	90°

723102V36/V6/V9, 2-WAY STAINLESS STEEL, ANSI 150 FLANGED, DIRECT MOUNT WAFER STYLE, FULL PORT BALL VALVE WITH DOUBLE ACTING PNEUMATIC ACTUATOR AND ELECTRIC ENP-B 4-20mA POSITIONER

SIZES 1" TO 4"

723102V36/V6/V9, 2-WAY STAINLESS STEEL, ANSI 150 FLANGED, DIRECT MOUNT WAFER STYLE, FULL PORT BALL VALVE WITH SPRING RETURN PNEUMATIC ACTUATOR AND ELECTRIC ENP-B 4-20mA POSITIONER

SIZES 1" TO 4"

SPECIFICATIONS

The Bonomi PP723101V36/V6/V9 series pneumatic packages features the ANSI Class 150 30-60, 60, and 90 degree V-port stainless steel space saving, 723102V36/V6/V9 series direct mount, low torque, wafer style ball valve. This ball valve series feature a double O-ring stem seal, grounded ball & stem, and incorporates an ISO 5211 mounting pad and square stem. Sizes are 1"-4"

The Valbia pneumatic actuator comes with a hard-anodized aluminum body, and powder coated end caps. In addition, all Valbia pneumatic actuators are standardly furnished with elevated temperature seals to 302°F. The patented side loaded limit stops never enter the piston chamber eliminating extra possible leak paths. The assembled package also features a compact ENP-B positioner with an input signal of 4-20 mA.

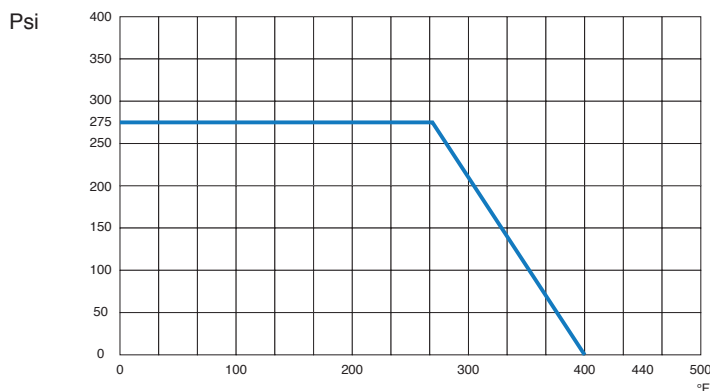
ACTUATOR FEATURES

- Hard anodized extruded aluminum body
- Concentric spring sets
- Die cast aluminum end caps
- Solid steel barstock pinion (not casting)
- 0°-90° rotation adjustment cam
- 0°-90° rotation adjustment bolts
- POM piston guides
- Minimum air pressure rating: 80 psi
- Maximum air pressure rating: 116 psi
- Working temperature: -4°F - 302°F
- No lubrication maintenance required for the entire actuator lifetime
- 100% factory tested

VALVE FEATURES

- Direct mount, Stainless steel ANSI class 150 Wafer-style flanged ball valve
- 30-60, 60, and 90 degree V-port, sizes 1" to 4"
- Temperature range -4°F to +366°F
- Anti-static Stem Device
- Blow out proof stem
- 23% Carbon-filled P.T.F.E. and 2% Graphite-filled P.T.F.E. seats
- P.T.F.E. seats and double O-ring stem packing
- 100% electronically tested in the open and closed position at 80 psi
- ISO 5211 mounting pad/square stem
- Low Torque Design
- 17-4 PH stem

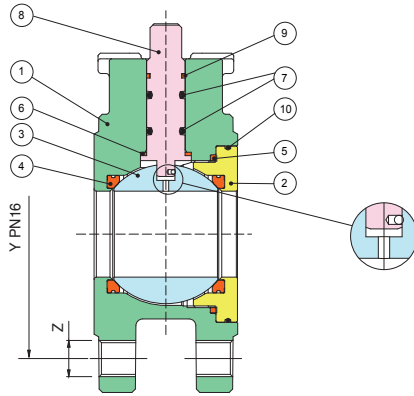
PRESSURE - TEMPERATURE CHART FOR SERIES 723102V36/V6/V9



EP723102V * DA - EP723102V * SR V-BALL SERIES MODEL OPTIONS

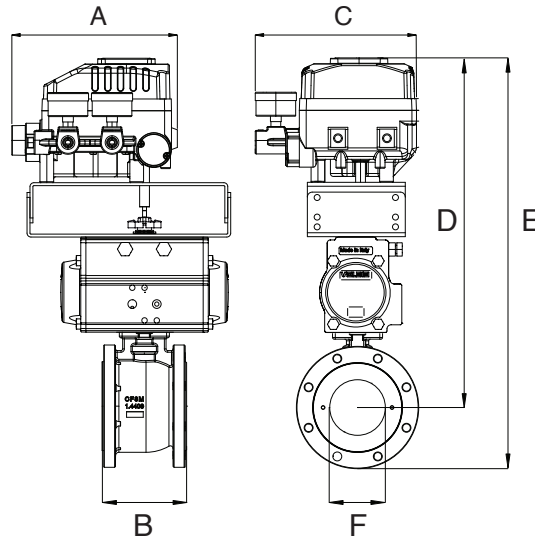
	90° V-BALL
	EP723102V9DA EP723102V9SR
	60° V-BALL
	EP723102V6DA EP723102V6SR
	30-60° V-BALL
	EP723102V36DA EP723102V36SR

BILL OF MATERIALS FOR 723102V36-V6-V9



N POS	PART NAME	MATERIAL	N PCS
1	BODY	A351-CF8M	1
2	END CONNECTION	A479-Tp316/A182-F316	1
3	BALL	A351-CF8M	1
4	BALL SEAT	23% CARBON FILLED + 2% GRAPHITE FILLED P.T.F.E.	2
5	BODY SEAT	P.T.F.E.	1
6	THRUST WASHER	TFM®	1
8	STEM	A564-Tp630 H1150D (17-4-PH)	1
9	STEM SEAT	Virgin P.T.F.E.	1

DIMENSIONS



EP723102V36DA 723102V36 with **DA** Actuator & ENP-B Positioner
EP723102V6DA 723102V6 with **DA** Actuator & ENP-B Positioner
EP723102V9DA 723102V9 with **DA** Actuator & ENP-B Positioner

EP723102V36SR 723102V36 with **SR** Actuator & ENP-B Positioner
EP723102V6SR 723102V6 with **SR** Actuator & ENP-B Positioner
EP723102V9SR 723102V9 with **SR** Actuator & ENP-B Positioner

Size	A	B	C	D	E	F	ACT. DA
1"	6.65	1.89	6.98	10.51	12.84	1.00	52
1-1/4"	6.65	2.13	6.98	11.02	13.86	1.25	52
1-1/2"	6.65	2.50	6.98	11.33	14.48	1.50	52
2"	6.65	3.23	6.98	12.10	15.57	2.00	63
2-1/2"	6.65	4.06	6.98	13.08	17.18	2.50	63
3"	6.65	4.80	6.98	14.06	18.78	3.00	75
4"	6.65	5.98	6.98	15.18	20.47	4.00	85

Size	A	B	C	D	E	F	ACT. SR
1"	6.65	1.89	6.98	10.96	13.29	1.00	63
1-1/4"	6.65	2.13	6.98	11.47	14.31	1.25	63
1-1/2"	6.65	2.50	6.98	12.49	15.64	1.50	75
2"	6.65	3.23	6.98	12.81	16.28	2.00	75
2-1/2"	6.65	4.06	6.98	13.96	18.06	2.50	85
3"	6.65	4.80	6.98	15.11	19.83	3.00	100
4"	6.65	5.98	6.98	17.04	22.33	4.00	115

CV VERSUS VALVE OPENING PERCENTAGE

Size	Degree	10%	20%	30%	40%	50%	60%	70%	80%	90%
1"	30-60°	0.0	0.1	0.4	0.8	1.4	2.4	4.0	6.9	11.0
	60°	0.0	0.3	0.8	1.6	2.7	4.6	7.7	13.4	22.0
	90°	0.0	0.5	1.4	2.8	4.9	8.2	13.7	23.7	39.0
1-1/4"	30-60°	0.0	0.2	0.7	1.3	2.3	3.9	6.5	11.3	18.0
	60°	0.0	0.4	1.3	2.5	4.5	7.6	12.7	21.9	36.0
	90°	0.0	0.8	2.2	4.5	8.0	13.4	22.4	38.8	64.0
1-1/2"	30-60°	0.0	0.3	1.0	2.0	3.5	5.9	9.8	17.0	28.0
	60°	0.0	0.7	2.0	4.0	7.1	11.9	20.0	34.5	57.0
	90°	0.0	1.1	3.3	6.6	11.6	19.5	32.6	56.4	93.0
2"	30-60°	0.0	0.5	1.5	3.1	5.5	9.2	15.4	26.7	44.0
	60°	0.0	1.1	3.1	6.3	11.1	18.7	31.2	54.0	89.0
	90°	0.0	2.0	6.0	12.0	21.2	35.6	59.5	102.9	170.0
2-1/2"	30-60°	0.1	2.2	6.1	11.5	19.2	30.0	44.2	66.6	96.4
	60°	0.2	2.1	6.8	14.3	25.1	41.6	68.9	109.0	157.9
	90°	0.2	2.4	8.7	18.0	33.5	57.5	99.2	169.0	288.4
3"	30-60°	0.0	1.3	3.9	7.8	13.8	23.2	38.9	67.2	111.0
	60°	0.0	2.7	7.9	16.0	28.2	47.4	79.3	137.1	227.0
	90°	0.0	4.7	13.6	27.3	48.1	80.9	135.4	234.1	387.0
4"	30-60°	0.0	2.1	6.1	12.3	21.6	36.3	60.8	105.2	174.0
	60°	0.0	4.3	12.4	25.0	44.1	74.1	124.1	214.5	355.0
	90°	0.0	8.1	23.6	57.5	83.8	140.8	235.7	407.5	675.0