



JOB NAME:	CONTRACTOR:
JOB LOCATION:	AEPROVAL:
ENGINEER:	CONTRACTOR P.O.:
AEPROVAL:	REPRESENTATIVE:

EP770V3DA	30°	EP770V3SR	30°
EP770V6DA	60°	EP770V6SR	60°
EP770V9DA	90°	EP770V9SR	90°
770V3/V6/V9, 3-PC DIRECT MOUNT, 2-WAY STAINLESS STEEL V-BALL VALVE, SANITARY CONNECTION, NON-CAVITY FILLED BALL VALVE WITH DOUBLE ACTING PNEUMATIC ACTUATOR AND PNEUMATIC ENP-B 4-20 mA POSITIONER		770V3/V6/V9, 3-PC DIRECT MOUNT, 2-WAY STAINLESS STEEL V-BALL VALVE, SANITARY CONNECTION, NON-CAVITY FILLED BALL VALVE WITH SPRING RETURN PNEUMATIC ACTUATOR AND PNEUMATIC ENP-B 4-20 mA PSI POSITIONER	
SIZES 1/2" TO 4"		SIZES 1/2" TO 4"	

SPECIFICATIONS

The Bonomi EP770V3/EP770V6/EP770V9 series pneumatic actuated packages feature the 770 non-cavity filled three-piece V-Port stainless steel ball valves with sanitary connections. The valve series are ISO 5211 direct mount, and come with a grounded ball and stem, and a Ra 15 finish. A grounded ball & stem is standard.

The Valbia pneumatic actuator comes with a hard-anodized aluminum body, and powder coated end caps. In addition, all Valbia pneumatic actuators are standardly furnished with elevated temperature seals to 302°F. The patented side loaded limit stops never enter the piston chamber eliminating extra possible leak paths. The assembled package also features a compact ENP-B positioner with an input signal of 4-20 mA.

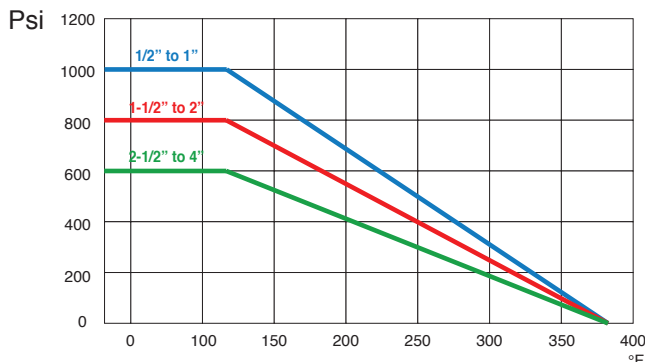
ACTUATOR FEATURES

- Hard anodized extruded aluminum body
- Concentric spring sets
- Die cast aluminum end caps
- Solid steel barstock pinion (not casting)
- 0°-90° rotation adjustment cam
- 0°-90° rotation adjustment bolts
- POM piston guides
- Minimum air pressure rating: 80 psi
- Maximum air pressure rating: 116 psi
- Working temperature: -4°F - 302°F
- No lubrication maintenance required for the entire actuator lifetime
- 100% factory tested

VALVE FEATURES

- Stainless Steel, 3 Piece Direct Mount
- Full port, sizes 1/2" to 4"
- Non-Cavity Filled, sizes 1" to 4"
- Cavity Filled, sizes 1/2" to 3/4"
- ISO 5211 mounting pad with double "D" stem
- Temperature range -20°F to 450°F
- Working pressure 1000 psi WOG (1/2" to 1")
- 800 psi WOG (1-1/2" to 2")
- 600 psi WOG (2-1/2" to 4")
- Blow-out proof stem
- Anti-static Device
- International polishing to Ra 15 micron
- Tri-clamp style end connections
- Ball valves comply with standards: ISO 5211, ANSI B16.11, MSS SP-25, MSS SP-55
- Maintenance free live loaded double sealing stem

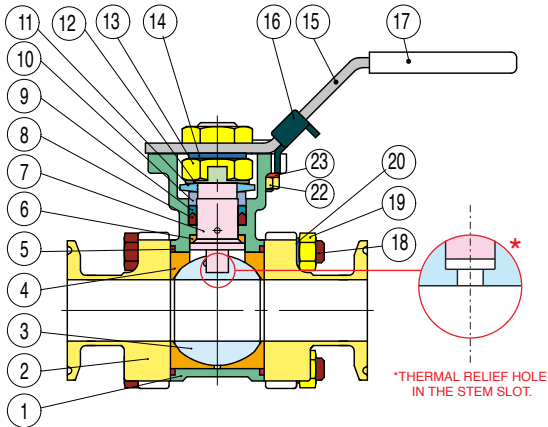
PRESSURE TEMPERATURE CHART FOR 770V3/770V6/770V9



V-BALL SERIES MODEL OPTIONS

	90° V-BALL
	EP770V9
	60° V-BALL
	EP770V6
	30° V-BALL
	EP770V3

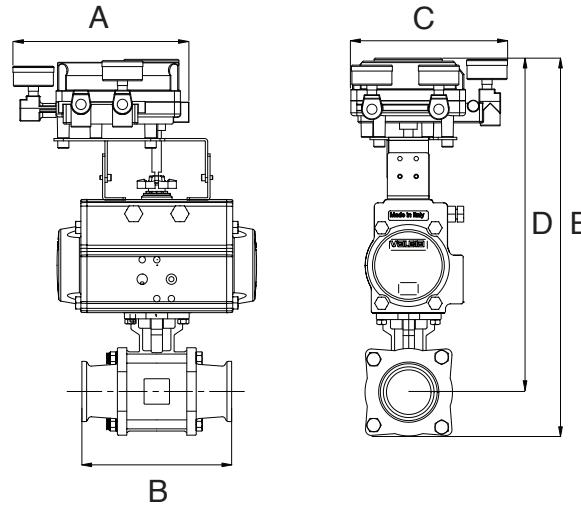
BILL OF MATERIALS FOR 770V3/770V6/770V9



N POS	PART NAME	MATERIAL	N PCS
1	BODY	CF8M	1
2	END CONNECTION	CF8M	2
3	BALL	SS316L	1
4	SEATS	P.T.F.E.	2
5	JOINT GASKET	P.T.F.E.	2
6	STEM SEAL	R.P.T.F.E.	1
7	STEM	SS316L	1
8	GLAND PACKING	P.T.F.E.	2
9	GLAND PACKING	P.T.F.E. + GLASS	1
10	GLAND BUSH	SS304	1
11	BELLEVILLE WASHER	SS301	2
12	STOP WASHER	SS304	1

N POS	PART NAME	MATERIAL	N PCS
13	STEM NUT	SS304	2
14	STEM WASHER	SS304	1
15	HANDLE	SS304	1
16	LOCKING DEVICE	SS304	1
17	HANDLE SLEEVE	VINYL	1
18	BOLT	SS304	4
19	BOLT NUT	SS304	4
20	BOLT WASHER	SS304	4
21	STOP PIN	SS304	1
22	PIN NUT	SS304	1
23	WASHER	SS304	1

DIMENSIONS



EP770V3DA

WITH DOUBLE ACTING ACTUATOR

EP770V6DA

WITH DOUBLE ACTING ACTUATOR

EP770V9DA

WITH DOUBLE ACTING ACTUATOR

SIZE	A	B	C	D	E	ACT.
1/2"	6.55	3.50	6.99	9.83	10.33	DA52V
3/4"	6.55	4.00	6.99	9.83	10.33	DA52V
1"	6.55	4.50	6.99	9.83	10.33	DA52V
1-1/2"	6.55	5.51	6.99	10.28	10.78	DA63V
2"	6.55	6.25	6.99	10.99	11.49	DA75V
2-1/2"	6.55	6.85	6.99	10.99	11.49	DA75V
3"	6.55	7.60	6.99	11.54	12.04	DA85V
4"	6.55	8.89	6.99	12.04	12.54	DA100V

EP770V3SR

WITH SPRING RETURN ACTUATOR

EP770V6SR

WITH SPRING RETURN ACTUATOR

EP770V9SR

WITH SPRING RETURN ACTUATOR

SIZE	A	B	C	D	E	ACT.
1/2"	6.55	3.50	6.99	9.83	10.33	SR52V/04
3/4"	6.55	4.00	6.99	10.28	10.78	SR63V/04
1"	6.55	4.50	6.99	10.99	11.49	SR75V
1-1/2"	6.55	5.51	6.99	11.54	12.04	SR85V
2"	6.55	6.25	6.99	12.04	12.54	SR100V
2-1/2"	6.55	6.85	6.99	13.40	13.90	SR115V
3"	6.55	7.60	6.99	13.88	14.38	SR125V
4"	6.55	8.89	6.99	13.88	14.38	SR125V

CV VERSUS VALVE PERCENTAGE OPEN

Size	V-Ball Angle	Class VI S/O	Low %	Control Zone								Full Open
				0%	10%	20%	30%	40%	50%	60%	70%	
1/2"	30°	0.00	0.00	0.03	0.11	0.31	0.50	0.92	1.34	1.85	2.67	3.26
	60°	0.00	0.00	0.06	0.14	0.40	0.69	1.21	1.92	2.86	4.84	7.79
	90°	0.00	0.00	0.06	0.16	0.48	0.85	1.53	2.51	4.06	6.77	10.70
3/4"	30°	0.00	0.00	0.06	0.24	0.69	1.13	2.07	3.02	4.17	6.00	7.32
	60°	0.00	0.00	0.13	0.31	0.89	1.56	2.73	4.31	6.43	10.89	17.53
	90°	0.00	0.00	0.14	0.37	1.13	1.98	3.53	5.86	8.93	15.62	26.31
1"	30°	0.00	0.00	0.11	0.42	1.23	2.01	3.68	5.38	7.41	10.66	13.02
	60°	0.00	0.00	0.24	0.55	1.59	2.77	4.86	7.66	11.43	19.36	31.16
	90°	0.00	0.00	0.30	0.72	2.07	3.63	6.52	10.69	16.57	28.92	48.95
1-1/2"	30°	0.00	0.00	0.74	2.09	3.47	6.13	8.35	12.93	18.87	28.77	40.84
	60°	0.00	0.00	0.61	1.74	3.27	7.45	10.31	16.52	31.06	48.26	79.82
	90°	0.00	0.00	0.97	2.03	3.96	9.13	13.27	22.31	43.31	70.82	130.16
2"	30°	0.00	0.00	1.31	3.71	6.16	10.89	14.85	22.99	33.55	51.15	72.60
	60°	0.00	0.00	1.09	3.10	5.81	13.24	18.34	29.37	55.22	85.80	141.90
	90°	0.00	0.00	1.04	3.64	7.11	16.46	24.50	41.37	83.67	133.78	243.02
2-1/2"	30°	0.00	0.00	2.14	6.06	10.06	17.79	24.26	37.55	54.80	83.55	118.59
	60°	0.00	0.00	1.78	5.07	9.49	21.63	29.95	47.98	90.20	140.16	231.80
	90°	0.00	0.00	2.36	7.02	12.99	29.97	42.85	71.86	141.57	230.24	423.69
3"	30°	0.00	0.00	2.84	7.52	15.60	25.49	37.16	54.90	76.23	108.40	141.89
	60°	0.00	0.00	3.60	11.73	21.36	33.25	53.10	96.62	144.55	233.32	360.96
	90°	0.00	0.00	4.64	15.49	29.40	46.12	75.73	144.02	222.73	385.54	658.35
4"	30°	0.00	0.00	5.27	13.95	28.94	47.28	68.93	101.84	141.41	201.08	263.21
	60°	0.00	0.00	6.68	21.75	36.92	61.68	98.51	179.24	268.15	432.83	669.60
	90°	0.00	0.00	8.40	28.29	52.36	83.74	137.57	261.50	405.31	703.95	1241.30