



JOB NAME:	CONTRACTOR:
JOB LOCATION:	APPROVAL:
ENGINEER:	CONTRACTOR P.O.:
APPROVAL:	REPRESENTATIVE:

**EXM8E0630-00\* - EXM8E0631-00\* - EXM8E0632-00\***  
**FNPT THREADED                      SOCKET WELD                      BUTT WELD**

**630LL DIRECT MOUNT, 3-PC, 2-WAY CARBON STEEL, CLASS 900 FULL PORT BALL VALVE IN NPT, SW OR BW W CSA APPROVED EXPLOSION PROOF METAL ELECTRIC ACTUATOR SIZES 1/4" TO 4"**

*002 24 AC/DC ON/OFF	*003 110V DC ON/OFF	*004 220V DC ON/OFF
*022 POSITIONER	*023 POSITIONER	*024 POSITIONER

**SPECIFICATIONS**

The EXM8E0630/EXM8E0631/EXM8E0632 series packages feature a carbon steel high performance three-piece full port, encapsulated bolt style, Class 900 [1/4"-2", Class 600 2 1/2"-4"] ball valve. The valve also incorporates an ISO 5211 direct mount pad with square stem. Further, the valve has high temperature TFM-4215 seats, conforms to ANSI 16.34, ANSI B1.20.1 Thread depths, NACE MRO 175, latch locking handle and an API 607 6th edition fire safe option.

The heavy duty industrial EXM series electric actuator features a direct mount CSA certified NEMA 4X, 7, 8, and 9 housing, with 2 auxiliary switches, 1/2" conduit connections, built in thermal overload protection, heater & thermostat, clutch-less manual override, and a temperature range of -22°F to 156°F.

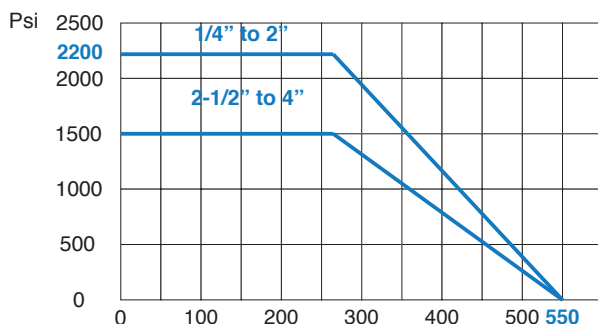
**ACTUATOR FEATURES**

- Dual Voltages
- 24V AC/DC and 100-240V AC Models Available
- ISO 5211 Dual Patterns
- 75% Duty Cycle
- Anti-condensation heater, (when red wire is connected to power)
- High-Strength, Die Cast Aluminum Powder Coated Housing
- Temperature Range -4°F to 131°F
- NEMA 4 Housing
- Two Auxiliary Switches Standard
- Torque limiter standard
- 1/2" conduit connections

**VALVE FEATURES**

- 3-piece WCB body
- Class 900 sizes 1/4" to 2", Class 600 sizes 2-1/2" to 4"
- Carbon steel-2220 psi (1/4" to 2"), 1500 psi (2-1/2" to 4")
- ISO 5211 mounting pad with square stem
- TFM-4215 ball seats
- Standard latch locking handle
- Conforms to ANSI 16.34, ANSI B1.20.1 thread depths, NACE MR0175
- Fire Safe to API 607-6th edition
- Grounded ball and stem
- Standard 316 stainless steel ball and stem
- Temperature range: -50° F to 550° F
- Working steam pressure to 250 psi

**PRESSURE - TEMPERATURE CHART FOR SERIES 630LL/631LL/632LL**



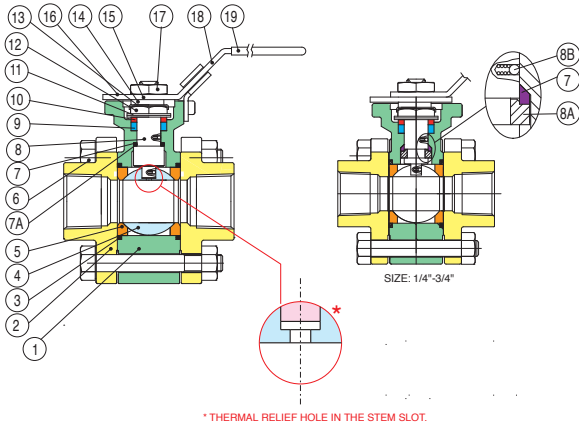
**CSA APPROVALS**

Class I, Division 1, Groups C, D, T4  
 Class II, Division 1, Groups E, F, G T130°C  
 Type 4x  
 Ex db IIB T4 Gb (For Canada)

Class I, Zone 1, AEx db IIB T4 Gb (For US)  
 Ex tb IIIC T130°C Db (For Canada)  
 Zone 21, AEx tb IIIC T130°C Db (For US)  
 IP68 (72h, 7m)



## BILL OF MATERIALS FOR 630LL / 631LL / 632LL

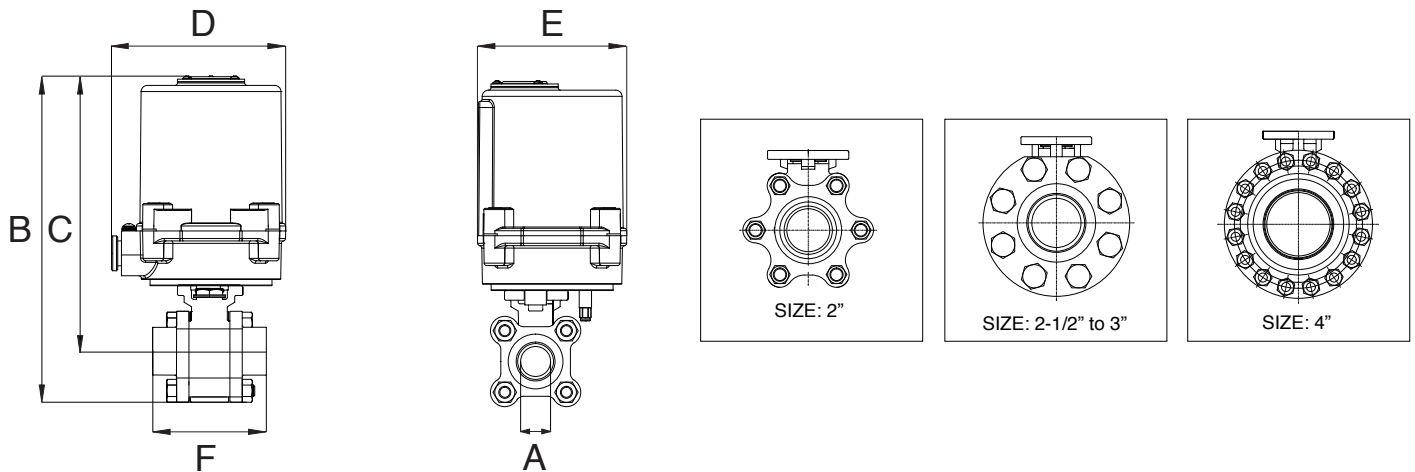


N POS	PART NAME	MATERIAL	N PCS
1	BODY	WCB	1
2	END CAP	WCB	2
3	GASKET BODY	TFM	2
4	BALL	SS316	1
5	BALL SEATS	TFM-4215	2
6	BOLTS	SS304	*
7	THRUST WASHER	TFM	1
7A	THRUST WASHER	PEEK	1
8	STEM	SS316	1
8A	HALF SPLIT RING	SS316	1
8B	ANTI-STATIC	SS316	2

N POS	PART NAME	MATERIAL	N PCS
9	STEM PACKING	TFM	1
10	GLAND WASHER	SS304	1
11	DISK WASHER	SS301	1
12	STEM NUT	SS304	1
13	NUT STOP	SS304	1
14	SPACE WASHER	SS304	1
15	PLATER	SS304	1
16	STOP IN	SS304	1
17	HANDLE NUT	SS304	1
18	HANDLE	SS304	1
19	HANDLE COVER	PLASTISOL	1

\*VARIES WITH SIZE

## DIMENSIONS



Size	A	B	C	D	E	F	ACT.
1/4"	.250	9.24	8.42	5.51	4.43	2.62	EAX035
3/8"	.375	9.24	8.42	5.51	4.43	2.62	EAX035
1/2"	.500	8.88	8.03	5.51	4.43	2.76	EAX035
3/4"	.750	9.16	8.22	5.51	4.43	3.62	EAX035
1"	1.00	9.50	8.46	5.51	4.43	4.14	EAX035
1-1/4"	1.25	9.68	8.58	5.51	4.43	4.37	EAX035
1-1/2"	1.50	13.75	12.51	5.39	4.45	4.89	EAX045
2"	2.00	18.20	16.61	7.00	17.80	5.91	EAX080
2-1/2"	2.50	20.56	18.70	8.46	21.54	6.50	EAX360
3"	3.00	21.36	19.25	8.46	21.54	7.68	EAX360
4"	4.00	22.79	20.24	8.46	21.54	9.65	EAX450

## ON/OFF WIRING DIAGRAM

24V DC, 24V AC, 110V AC & 220VAC



## POSITIONER WIRING DIAGRAM

24V DC, 24V AC, 110V AC & 220VAC

