



JOB NAME:	CONTRACTOR:
JOB LOCATION:	APPROVAL:
ENGINEER:	CONTRACTOR P.O.:
APPROVAL:	REPRESENTATIVE:

**EXM8E0730-00\* - EXM8E0731-00\* - EXM8E0732-00\***  
**FNPT THREADED                      SOCKET WELD                      BUTT WELD**

**730LL DIRECT MOUNT, 3-PC, 2-WAY STAINLESS STEEL, CLASS 900 FULL PORT BALL VALVE IN NPT, SW OR BW W CSA APPROVED EXPLOSION PROOF METAL ELECTRIC ACTUATOR SIZES 1/4" TO 4"**

*002 24 AC/DC ON/OFF	*003 110V DC ON/OFF	*004 220V DC ON/OFF
*022 POSITIONER	*023 POSITIONER	*024 POSITIONER

### SPECIFICATIONS

The EXM8E0730/EXM8E0731/EXM8E732 series packages feature a stainless steel high performance three-piece full port, encapsulated bolt style, Class 900 [1/4"-2", Class 600 2 1/2"-4"] ball valve. The valve also incorporates an ISO 5211 direct mount pad with square stem. Further, the valve has high temperature TFM-4215 seats, conforms to ANSI 16.34, ANSI B1.20.1 Thread depths, NACE MRO 175, latch locking handle and an API 607 6th edition fire safe option.

The heavy duty industrial EXM series electric actuator features a direct mount CSA certified NEMA 4X, 7, 8, and 9 housing, with 2 auxiliary switches, 1/2" conduit connections, built in thermal overload protection, heater & thermostat, clutch-less manual override, and a temperature range of -22°F to 156°F.

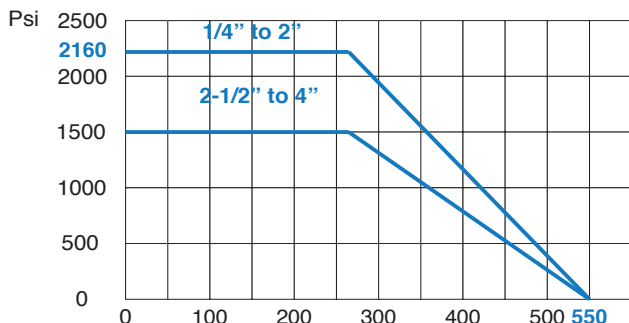
### ACTUATOR FEATURES

- NEMA 4x, 7, 8 & 9 (CSA Approved)
- Enclosure conforms to IP68 with explosion-protected performance and 1/2" FNPT conduit connection
- Temperature range: -22°F to 158°F
- Clutch-less Manual Override
- Thermostatically controlled anti-condensation heater for working conditions
- Available in both ON/OFF (-00\*) or 4~20 mA MODULATING (-02\*)
- 30% Duty Cycle (ON/OFF) and 75% Duty Cycle (MODULATING)
- Continuous mechanical position indicator.
- Built-in thermal overload protection prevents motor burnout

### VALVE FEATURES

- 3-piece CF8M body
- Class 900 sizes 1/4" to 2", Class 600 sizes 2-1/2" to 4"
- Stainless steel-2160 psi (1/4" to 2"), 1500 psi (2-1/2" to 4")
- ISO 5211 mounting pad w/square stem
- TFM-4215 ball seats
- Standard latch locking handle
- Conforms to ANSI 16.34, ANSI B1.20.1 thread depths, NACE MR0175
- Fire Safe to API 607-6th edition
- Grounded ball and stem
- Standard 316 stainless steel ball and stem
- Temperature range: -50° F to 550° F
- Working steam pressure to 250 psi

### PRESSURE - TEMPERATURE CHART FOR SERIES 730LL/731LL/732LL



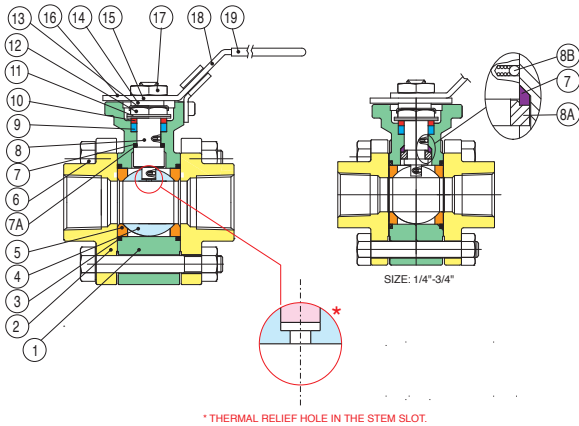
### CSA APPROVALS

Class I, Division 1, Groups C, D, T4  
 Class II, Division 1, Groups E, F, G T130°C  
 Type 4x  
 Ex db IIB T4 Gb (For Canada)

Class I, Zone 1, AEx db IIB T4 Gb (For US)  
 Ex tb IIIC T130°C Db (For Canada)  
 Zone 21, AEx tb IIIC T130°C Db (For US)  
 IP68 (72h, 7m)



## BILL OF MATERIALS FOR 730LL / 731LL / 732LL

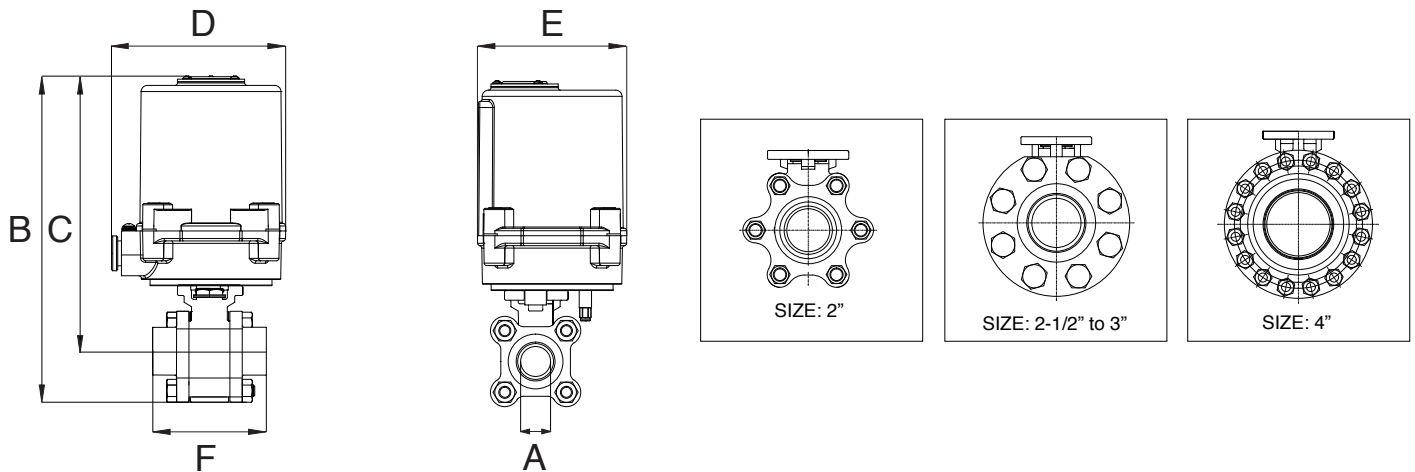


N POS	PART NAME	MATERIAL	N PCS
1	BODY	CF8M	1
2	END CAP	CF8M	2
3	GASKET BODY	TFM	2
4	BALL	SS316	1
5	BALL SEATS	TFM-4215	2
6	BOLTS	SS304	*
7	THRUST WASHER	TFM	1
7A	THRUST WASHER	PEEK	1
8	STEM	SS316	1
8A	HALF SPLIT RING	SS316	1
8B	ANTI-STATIC	SS316	2

N POS	PART NAME	MATERIAL	N PCS
9	STEM PACKING	TFM	1
10	GLAND WASHER	SS304	1
11	DISK WASHER	SS301	1
12	STEM NUT	SS304	1
13	NUT STOP	SS304	1
14	SPACE WASHER	SS304	1
15	PLATER	SS304	1
16	STOP IN	SS304	1
17	HANDLE NUT	SS304	1
18	HANDLE	SS304	1
19	HANDLE COVER	PLASTISOL	1

\*VARIES WITH SIZE

## DIMENSIONS



Size	A	B	C	D	E	F	ACT.
1/4"	.250	9.24	8.42	5.51	4.43	2.62	EAX035
3/8"	.375	9.24	8.42	5.51	4.43	2.62	EAX035
1/2"	.500	8.88	8.03	5.51	4.43	2.76	EAX035
3/4"	.750	9.16	8.22	5.51	4.43	3.62	EAX035
1"	1.00	9.50	8.46	5.51	4.43	4.14	EAX035
1-1/4"	1.25	9.68	8.58	5.51	4.43	4.37	EAX035
1-1/2"	1.50	13.75	12.51	5.39	4.45	4.89	EAX045
2"	2.00	18.20	16.61	7.00	17.80	5.91	EAX080
2-1/2"	2.50	20.56	18.70	8.46	21.54	6.50	EAX360
3"	3.00	21.36	19.25	8.46	21.54	7.68	EAX360
4"	4.00	22.79	20.24	8.46	21.54	9.65	EAX360

# ON/OFF WIRING DIAGRAM

24V DC, 24V AC, 110V AC & 220VAC



# POSITIONER WIRING DIAGRAM

24V DC, 24V AC, 110V AC & 220VAC

