



JOB NAME:	CONTRACTOR:
JOB LOCATION:	APPROVAL:
ENGINEER:	CONTRACTOR P.O.:
APPROVAL:	REPRESENTATIVE:

## EXME8301

**8301 ANSI 300 CLASS, CARBON STEEL  
HIGH PERFORMANCE LUG STYLE  
BUTTERFLY VALVE W CSA APPROVED  
EXPLOSION PROOF METAL ELECTRIC ACTUATOR**  
SIZES 2" TO 12"

## EXME9301

**9301 ANSI 300 CLASS, STAINLESS STEEL  
HIGH PERFORMANCE LUG STYLE  
BUTTERFLY VALVE W CSA APPROVED  
EXPLOSION PROOF METAL ELECTRIC ACTUATOR**  
SIZES 2" TO 12"

*002 24 AC/DC ON/OFF	*003 110V DC ON/OFF	*004 220V DC ON/OFF
*022 POSITIONER	*023 POSITIONER	*024 POSITIONER

### SPECIFICATIONS

Bonomi North America series EXME8301 and EXME9301 packages, feature carbon and stainless steel Class 300, double off-set, lug style high performance butterfly valves in sizes 2"-12". The carbon steel models have ASTM A216 WCB bodies and ASTM A351 CF8M discs. The stainless steel models come with ASTM A351 CF8M bodies and discs. These valves are standardly furnished with ISO 5211 mounting pad, and square stems for direct mounting. The heavy duty industrial EXM series electric actuator features a direct mount CSA certified NEMA 4X,7,8, and 9 housing, with 2 auxiliary switches, 1/2" conduit connections, built in thermal overload protection, heater & thermostat, clutch-less manual override, and a temperature range of -22°F to 156°F.

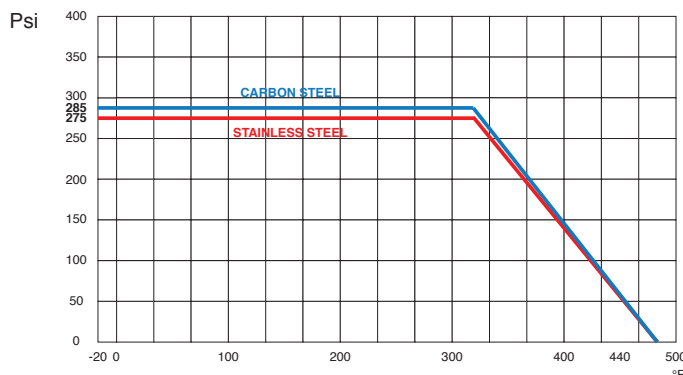
### ACTUATOR FEATURES

- NEMA 4x, 7, 8 & 9 (CSA Approved)
- Enclosure conforms to IP68 with explosion-protected performance and 1/2" FNPT conduit connection
- Temperature range: -22°F to 158°F
- Clutch-less Manual Override
- Thermostatically controlled anti-condensation heater for working conditions
- Available in both ON/OFF (-00\*) or 4~20 mA MODULATING (-02\*)
- 30% Duty Cycle (ON/OFF) and 75% Duty Cycle (MODULATING)
- Continuous mechanical position indicator.
- Built-in thermal overload protection prevents motor burnout
- 2 auxiliary SPDT switches

### VALVE FEATURES

- ISO 5211 Direct Mount
- 8301 - Carbon Steel Lug body
- 9301 - Stainless Steel Lug body
- Full port sizes 2" to 12"
- Compact Design, Easy Access to Packing
- Replaceable Seat Design
- Multiple V-Ring Stem Packing
- Reliable and Consistent Torques
- Optional Metal to Metal and PTFE Seat Design
- 14" to 24" Sizes Available Upon Request

### PRESSURE - TEMPERATURE CHART FOR SERIES 8301 & 9301



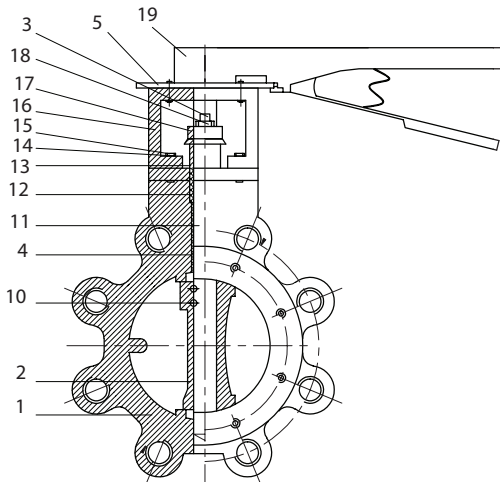
### CSA APPROVALS

Class I, Division 1, Groups C, D, T4  
Class II, Division 1, Groups E, F, G T130°C  
Type 4x  
Ex db IIB T4 Gb (For Canada)

Class I, Zone 1, AEx db IIB T4 Gb (For US)  
Ex tb IIIC T130°C Db (For Canada)  
Zone 21, AEx tb IIIC T130°C Db (For US)  
IP68 (72h, 7m)



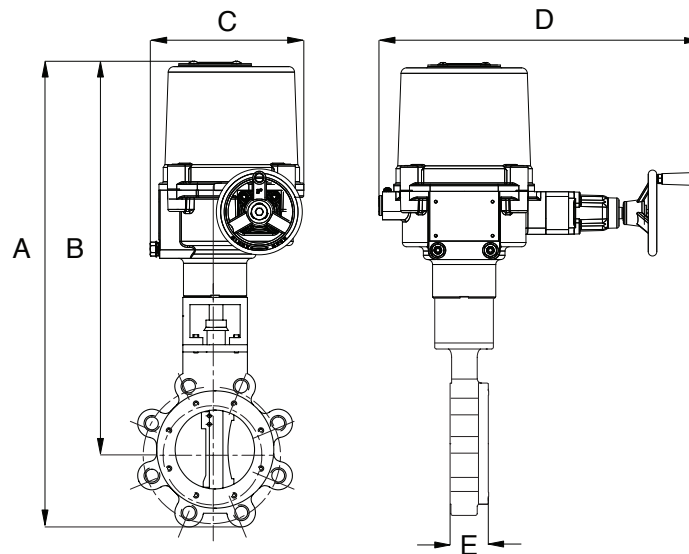
## BILL OF MATERIALS FOR 8301 & 9301



N POS	PART NAME	MATERIAL	N PCS
1	BODY	WCB/CF8M	1
2	DISC	CF8M	1
3	STEM BOLT	SS304	2
4	STEM BUSHING	SS316 + P.T.F.E.	3
5	PLATE	SS304	1
6	SEAT RETAINER	WCB/CF8M	1
7	RETAINER SCREW	SS304	6-8
8	O-RING	VITON®	1
9	SEAT	CARBON FILLED P.T.F.E.	1
10	PIN	SS316	2

N POS	PART NAME	MATERIAL	N PCS
11	STEM	AISI 17-4PH	1
12	V-RING	P.T.F.E.	6-9
13	GLAND BUSHING	SS316	1
14	SPRING WASHER	SS304	4
15	HEX BOLT	SS304	4
16	MOUNTING FLANGE	WCB/CF8M	1
17	GLAND	CF8M	1
18	NUT	SS304	2
19	HANDLE	MALLEABLE IRON	1

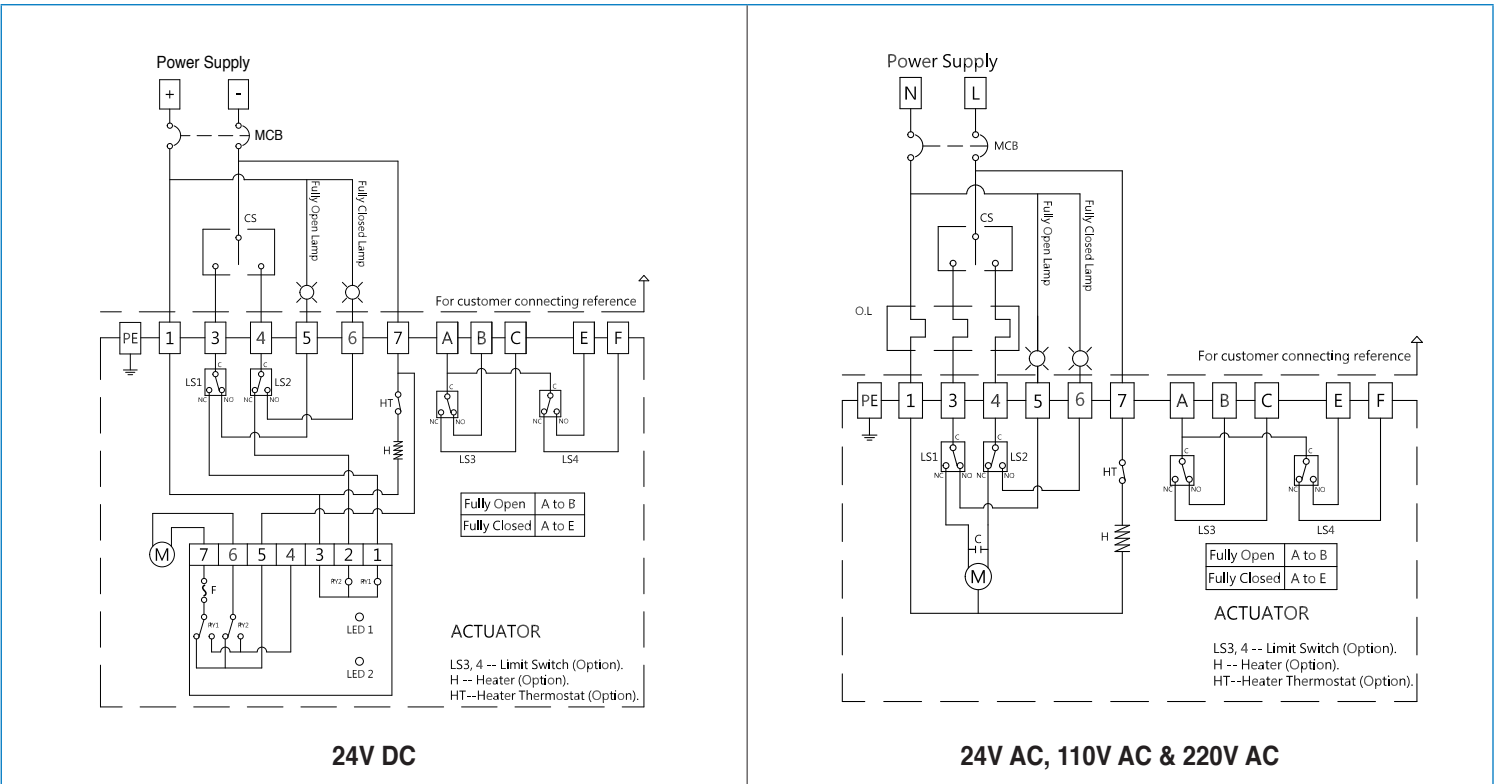
## DIMENSIONS



Size	A	B	C	D	E	Act.
2"	16.03	13.03	5.51	4.43	1.75	EAX035
2-1/2"	15.74	13.03	5.51	4.43	1.88	EAX035
3"	17.04	14.01	5.51	4.43	1.92	EAX035
4"	21.49	17.99	5.39	4.45	2.13	EAX045
5"	26.39	22.14	8.46	17.80	2.25	EAX080
6"	27.57	22.67	8.46	17.80	2.31	EAX130
8"	30.87	25.37	11.57	21.54	2.50	EAX360
10"	33.83	25.93	11.57	21.54	2.81	EAX360
12"*	C/F					

## ON/OFF WIRING DIAGRAM

24V DC, 24V AC, 110V AC & 220VAC



## POSITIONER WIRING DIAGRAM

24V DC, 24V AC, 110V AC & 220VAC

