



JOB NAME:	CONTRACTOR:
JOB LOCATION:	APPROVAL:
ENGINEER:	CONTRACTOR P.O.:
APPROVAL:	REPRESENTATIVE:

M8E065LF-00*

355NLF DIRECT MOUNT, 3-WAY LEAD-FREE BRASS, "T" PORT BALL VALVE W/ METAL ELECTRIC ACTUATOR
SIZES 1/4" TO 3"

M8E066LF-00*

365NLF DIRECT MOUNT, 3-WAY LEAD-FREE BRASS, "L" PORT BALL VALVE W/ METAL ELECTRIC ACTUATOR
SIZES 1/4" TO 3"

*001 12V AC/DC	*002 24V AC/DC	*003 100-240V AC
01 BATTERY BACKUP	*02* POSITIONER	*04* BATTERY BACKUP W POSITIONER

SPECIFICATIONS

The M8E065LF 3-way T port and M8E066LF L port lead-free low torque brass ball valves using the light weight VB series technopolymer electric actuator offer the best in durability for commercial and light industrial applications.

The M8E065LF lead-free series 3-way T port with its four-seated design can allow straight through flow, diversion, and complete shut-off capability. The M8E066LF L port is also four seated, allowing one to utilize any port as an entry. The valve is also approved under the NSF standard 61/372 for potable water use.

The VBM electric actuator has a NEMA 4 housing and features a raised position indicator. In addition, the VBM series also incorporates two extra limit switches, a heater and thermostat, 1/2" conduit connections and a 75% duty cycle motor.

ACTUATOR FEATURES

- Dual Voltages
- CSA, UL approved
- 24V AC/DC and 100-240V AC Models Available
- ISO 5211, F03/F05 base with 11mm female drive
- 75% Duty Cycle
- Anti-condensation heater, (when red wire is connected to power)
- High-Strength, Die Cast Aluminum Powder Coated Housing
- Temperature Range -4°F to 131°F
- NEMA 4 Housing
- Two Auxiliary Switches Standard
- Torque limiter standard

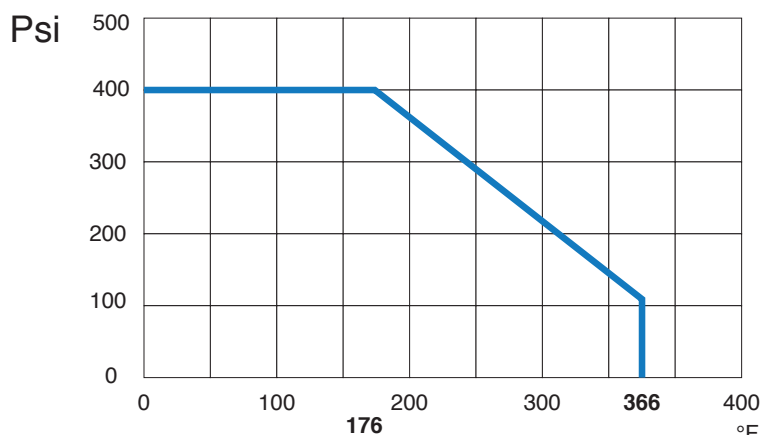
VALVE FEATURES

- Lead-Free Brass - NSF 61/372
- Standard Port, Sizes 1/4" to 3"
- ISO 5211 pad and square stem
- Pressure rating to 400 WOG
- Temperature range -4°F to 366°F
- Four (4) seat design for sealing between pressured ports
- Blow-out proof stem, chrome plated brass ball
- Low torque design with back up O-ring seats
- Double O-ring stem seal design for extended cycle life
- 100% electronically tested in the open and closed position @ 80 Psi



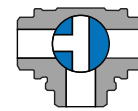
LEAD FREE
NSF/ANSI
61/372

PRESSURE - TEMPERATURE CHART FOR SERIES 355NLF & 365NLF

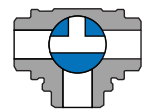


FLOW PATH VARIATIONS

T-PORT FLOW PATH A

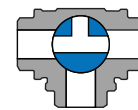


POSITION 1



POSITION 2

T-PORT FLOW PATH B



POSITION 1

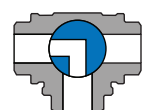


POSITION 2

L-PORT FLOW PATH A

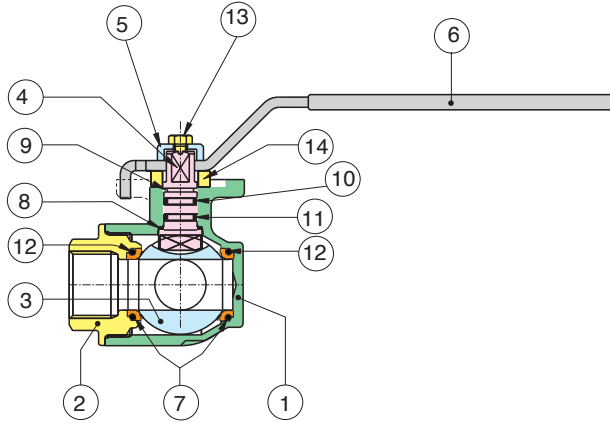


POSITION 1



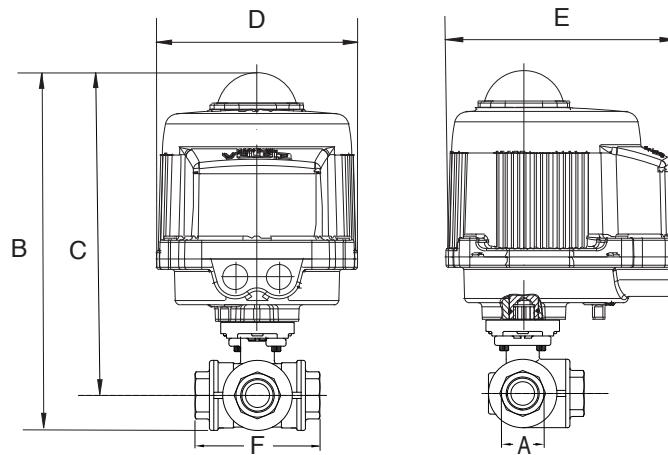
POSITION 2

BILL OF MATERIALS FOR 355NLF & 365NLF



N POS	PART NAME	MATERIAL	N PCS
1	BODY	LF BRASS C28500	1
2	END CONNECTION	LF BRASS C28500	1
3	END CONNECTION	LF BRASS C28500	1
4	BALL	LF BRASS C28500	1
5	BALL SEAT	P.T.F.E.	3
6	BALL SEAT	P.T.F.E.	1
7	O-RING	FKM (Viton)	4
8	STEM	LF BRASS C28500	1
9	BUSH	BRASS C38500	1
10	WASHER	NYLON (PA6)	1
11	THRUST WASHER	P.T.F.E.	1
12	O-RING	EPDM	1
13	O-RING	FKM (Viton)	1
14	THRUST WASHER	P.T.F.E.	1
15	SCREW	STEEL CL 8.8	1
16	HANDLE	STEEL DD11	1

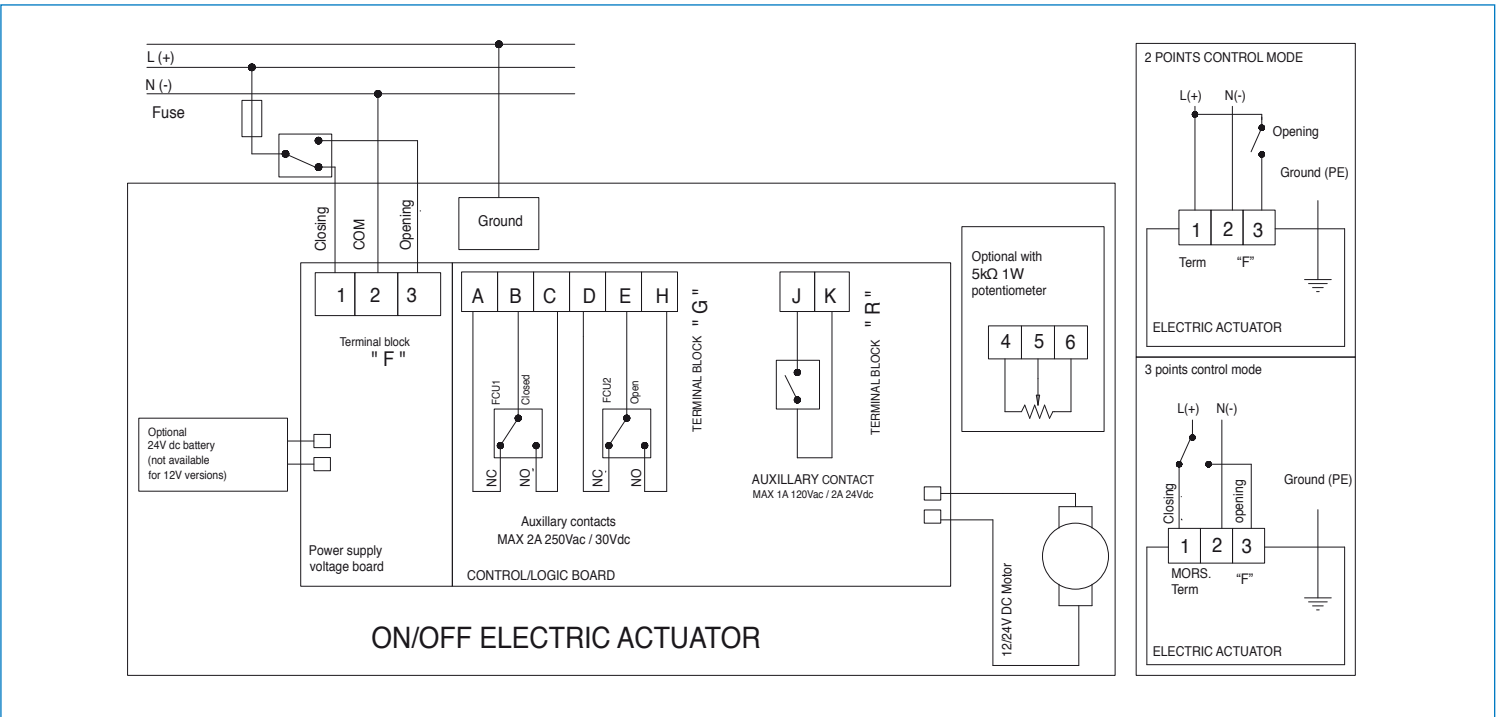
DIMENSIONS



Size	A	B	C	D	E	F	ACT.
1/4"	0.39	9.7	9.03	6.34	7.36	2.64	VB030M
3/8"	0.43	9.7	9.03	6.34	7.36	2.64	VB030M
1/2"	0.43	9.7	9.03	6.34	7.36	2.87	VB030M
3/4"	0.59	9.89	9.12	6.34	7.36	3.19	VB030M
1"	0.79	10.41	9.46	6.34	7.36	3.74	VB030M
1-1/4"	0.98	10.86	9.68	6.34	7.36	4.39	VB030M
1-1/2"	1.26	11.59	10.17	6.34	7.36	4.86	VB030M
2"	1.57	13.27	11.57	6.93	7.76	5.73	VB060M
2-1/2"	1.95	14.2	12.01	6.93	7.76	6.93	VB060M
3"	1.95	12.24	12.01	6.93	7.76	7.08	VB060M

ON/OFF WIRING DIAGRAM - VB030M -VB060M

12V AC/DC, 24V AC/DC & 100-240VAC



POSITIONER WIRING DIAGRAM - VB030M -VB060M

12V AC/DC, 24V AC/DC & 100-240VAC

