



JOB NAME:	CONTRACTOR:
JOB LOCATION:	APPROVAL:
ENGINEER:	CONTRACTOR P.O.:
APPROVAL:	REPRESENTATIVE:

M8E68F400*

68F400 2-WAY API 608 CARBON STEEL, ANSI 600 FLANGED, SPLIT BODY STYLE, FULL PORT BALL VALVE WITH VALBIA METAL ELECTRIC ACTUATOR AND BRACKET

SIZES 1/2" TO 2"

*001	12V AC/DC	*002	24V AC/DC	*003	100-240V AC
01	BATTERY BACKUP	*02*	POSITIONER	*04*	BATTERY BACKUP W POSITIONER

SPECIFICATIONS

The M8E68F400 Electric actuated package features the 68F series Carbon steel, Class 600 split body, full port ball valve designed and tested to API 608. The valve also meets ASME B16.34, B16.10 and B16.5. Further the 68F series ball valve is tested to API 598, and is firesafe design to API 607, 6FA, and ISO 10497. RPTFE seats are standard, with optional PEEK, PCTFE, VESPEL, and Metal to Metal.

The Valbia VBM series metal actuator housing is made from die cast aluminum, and standardly features dual voltages, two extra limit switches, a heater and thermostat, a torque limiter, dual ISO patterns, female star drive, a high-profile dome indicator, 1/2" conduit connections, and a 75% duty cycle motor. The actuator is NEMA 4 rated, and options include positioning boards, battery backups, or a combination of the two.

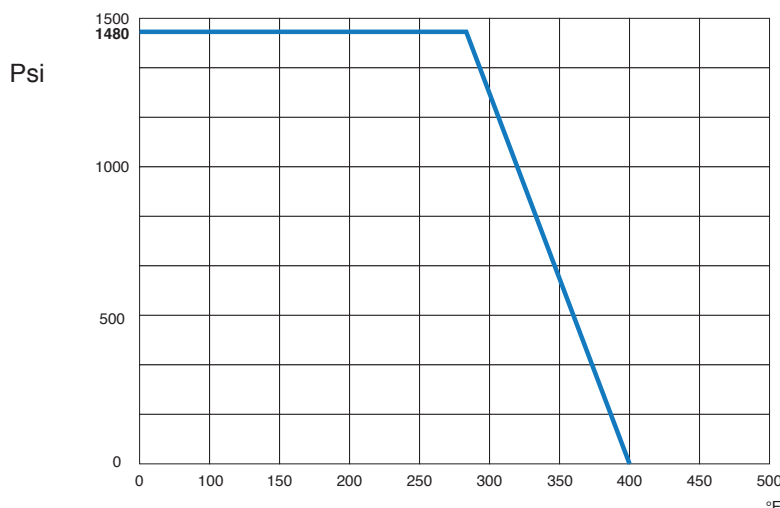
ACTUATOR FEATURES

- Dual Voltages
- CSA, UL approved
- 24V AC/DC and 100-240V AC
- ISO 5211 dual patterns
- 75% Duty Cycle
- High-Strength, Die Cast Aluminum Powder Coated Housing
- Temperature Range -4°F to 131°F
- NEMA 4 Housing
- Two Auxiliary Switches Standard
- VB110M through VB350M includes manual override handwheel
- EA575 includes manual override handwheel
- Torque limiter standard
- 1/2" Conduit connections

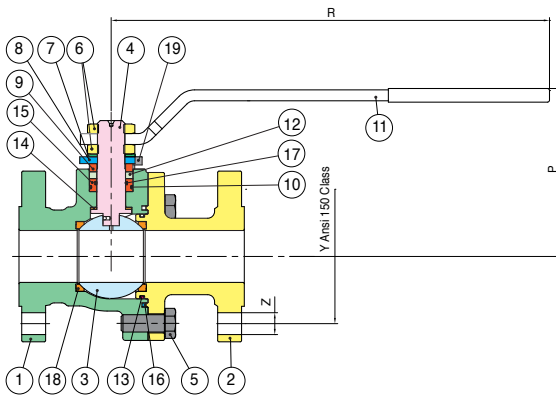
VALVE FEATURES

- Carbon steel, ANSI class 300, flanged ball valve
- Full port, Sizes 1/2" to 2"
- API 608, ASME B16.34, ASME B16.10, ASME B16.5, ASME B1.1 design.
- 100% tested according to API 598 standards.
- R.T.F.E seats, packing and thrust washer.
- Blow out proof stem, locking handle.
- Fire Safe design.
- Antistatic Device.
- ISO 5211 mounting pad with double "D" stem.
- Locking device.
- Temperature range -4°F to 366°F.

PRESSURE - TEMPERATURE CHART FOR SERIES 68F400



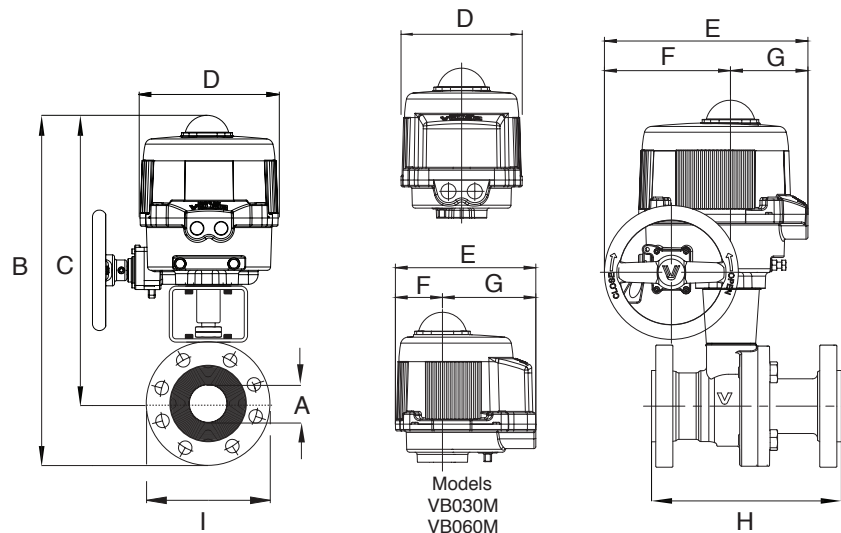
BILL OF MATERIALS FOR 68F400



N POS	PART NAME	MATERIAL	N POS
1	BODY	A352-LCC	1
2	END CONNECTION	A352-LCC	1
3	BALL	A479-Tp316	1
4	STEM	A564-Tp316 H115OD (17-4-PH)	1
5	SCREW	A32017	4-8-12
6	NUT	CARBON STEEL	2
7	SPRING WASHER	CARBON STEEL	2
8	90° STOP	AISI 316	1
9	BUSH	A479-Tp316L	1
10	O-RING	FKM (Viton)	1

N POS	PART NAME	MATERIAL	N POS
11	HANDLE	CARBON STEEL	1
12	STEM SEAL	GRAPHITE	1
13	O-RING	FKM (Viton)	1
14	THRUST WASHER	R.P.T.F.E.	1
15	O-RING BUSH	A479-Tp316L	1
16	BODY SEAT	GRAPHITE	1
17	O-RING	FKM (Viton)	2
18	BALL SEAT	R.P.T.F.E.	2
19	SCREW	CARBON STEEL	1

DIMENSIONS

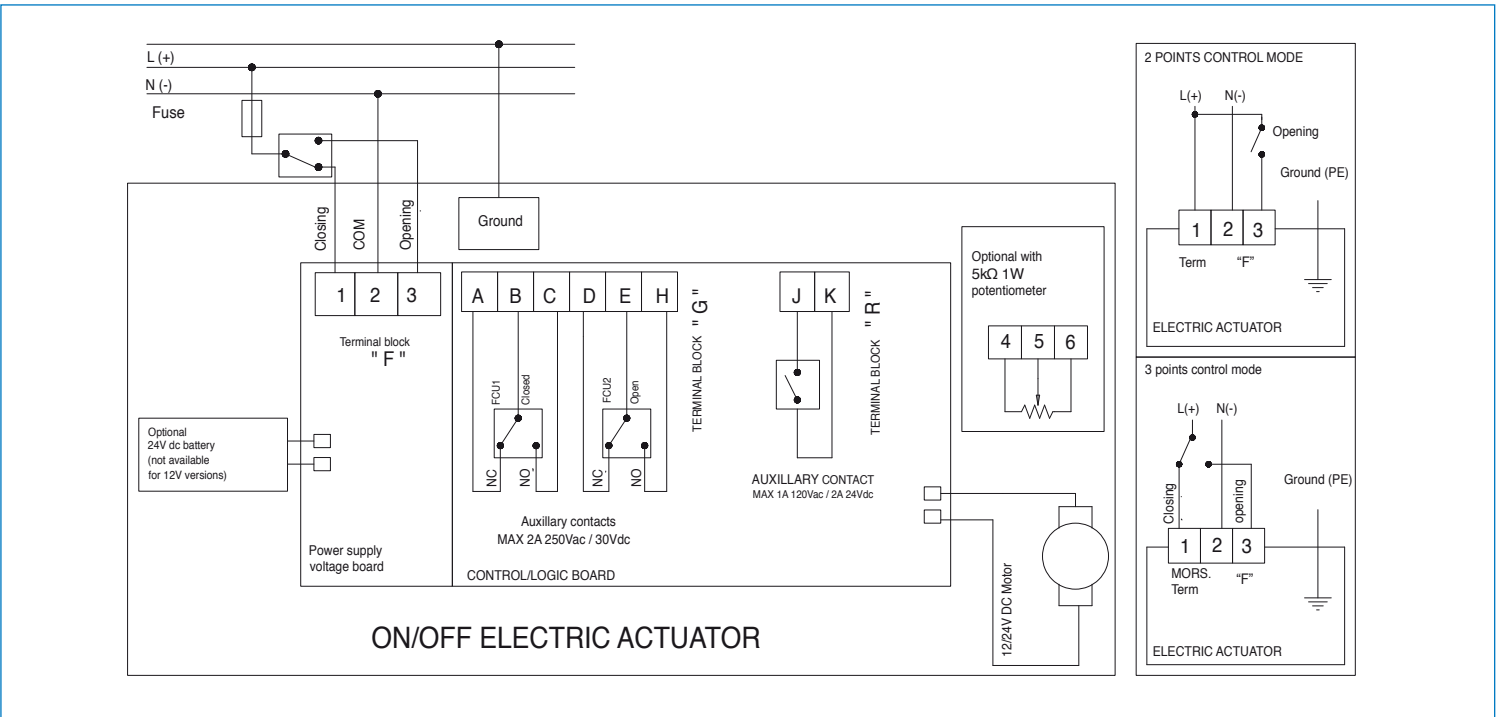


Size	A	B	C	D	E	F	G	H	I	ACT.
1/2"	0.50	12.20	10.07	6.34	7.36	2.48	4.88	4.25	3.54	VB030M
3/4"	0.75	12.68	10.24	6.34	7.36	2.48	4.88	4.61	3.94	VB030M
1"	1.00	14.05	11.66	6.93	7.76	2.48	5.88	5.00	4.33	VB060M
1-1/2"	1.50	16.00	13.68	10.63	10.47	6.50	3.98	6.50	4.92	VB110M *
2"	2.00	17.11	14.02	10.63	10.47	6.50	3.98	7.01	5.91	VB190M *

* Includes Manual Handwheel

ON/OFF WIRING DIAGRAM - VB030M -VB190M

12V AC/DC, 24V AC/DC & 100-240VAC



POSITIONER WIRING DIAGRAM - VB030M -VB190M

12V AC/DC, 24V AC/DC & 100-240VAC

