



JOB NAME:	CONTRACTOR:
JOB LOCATION:	APPROVAL:
ENGINEER:	CONTRACTOR P.O.:
APPROVAL:	REPRESENTATIVE:

M8E771V3-0* - M8E771V6-0* - M8E771V9-0*

30°

60°

90°

771V3/V6/V9 DIRECT MOUNT, 3-PC DIRECT MOUNT, 2-WAY STAINLESS STEEL V-BALL VALVE, SANITARY CONNECTION, CAVITY FILLED BALL VALVE W ELECTRIC ACTUATOR

SIZES 1/2" TO 4"

*0*1 12V AC/DC	*0*2 24V AC/DC	*0*3 100-240VAC
02 POSITIONER	*04* BAT. BACKUP W POS	

SPECIFICATIONS

The M8E771V3/M8E771V6/M8E771V9 V-ball pneumatic actuated packages feature the 771 cavity filled three-piece V-Port stainless steel ball valves with sanitary connections. The valve series are ISO 5211 direct mount, and come with a grounded ball and stem, and a Ra 15 finish. A grounded ball & stem is standard.

The Valbia VBM electric actuator has a rugged NEMA 4 die cast aluminum housing and features a raised or dome position indicator. In addition, the VBM series also incorporates dual voltage motors, two extra limit switches, a heater and thermostat, manual override, 1/2" conduit connections and a 75% duty cycle motor.

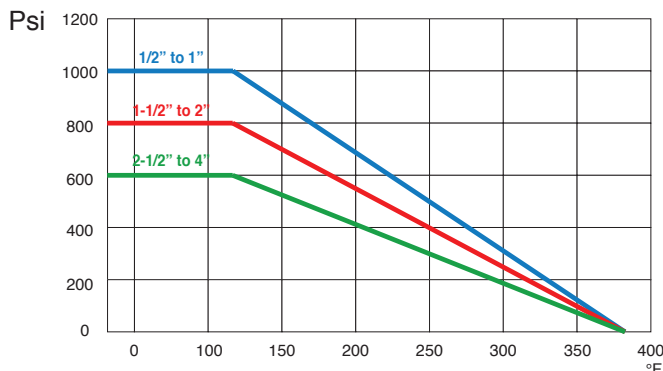
ACTUATOR FEATURES

- Dual Voltages
- CSA, UL approved
- 24V AC/DC and 100-240V AC
- ISO 5211 dual patterns
- 75% Duty Cycle
- High-Strength, Die Cast Aluminum Powder Coated Housing
- Temperature Range -4°F to 131°F
- NEMA 4 Housing
- Two Auxiliary Switches Standard
- Torque limiter standard
- 1/2" Conduit connections




VALVE FEATURES

- Stainless Steel, 3 Piece Direct Mount
- Full port, sizes 1/2" to 4"
- Cavity Filled
- ISO 5211 mounting pad with double "D" stem
- Temperature range -20°F to 450°F
- Working pressure 1000 psi WOG (1/2" to 1")
800 psi WOG (1-1/2" to 2")
600 psi WOG (2-1/2" to 4")
- Blow-out proof stem
- Anti-static Device
- International polishing to Ra 15 micron
- Tri-clamp style end connections
- Ball valves comply with standards: ISO 5211, ANSI B16.11, MSS SP-25, MSS SP-55
- Maintenance free live loaded double sealing stem

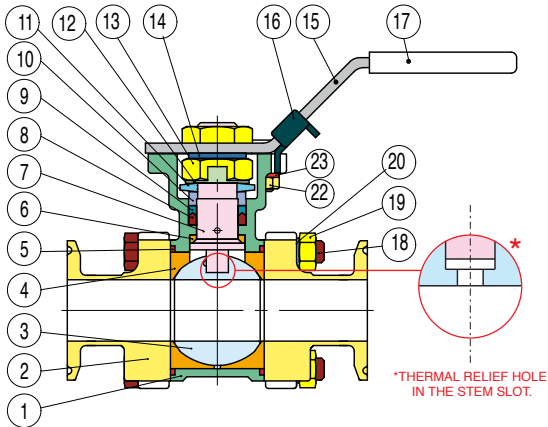
PRESSURE TEMPERATURE CHART FOR 771V3/771V6/771V9



V-BALL SERIES MODEL OPTIONS

	90° V-BALL
	M8E771V9
	60° V-BALL
	M8E771V6
	30° V-BALL
	M8E771V3

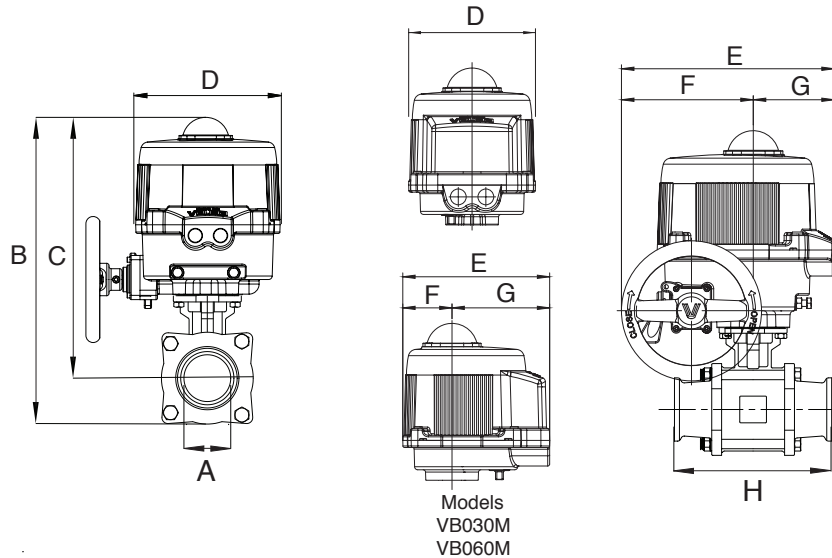
BILL OF MATERIALS FOR 771V3/771V6/771V9



N POS	PART NAME	MATERIAL	N PCS
1	BODY	CF8M	1
2	END CONNECTION	CF8M	2
3	BALL	SS316L	1
4	SEATS	P.T.F.E.	2
5	JOINT GASKET	P.T.F.E.	2
6	STEM SEAL	R.P.T.F.E.	1
7	STEM	SS316L	1
8	GLAND PACKING	P.T.F.E.	2
9	GLAND PACKING	P.T.F.E. + GLASS	1
10	GLAND BUSH	SS304	1
11	BELLEVILLE WASHER	SS301	2
12	STOP WASHER	SS304	1

N POS	PART NAME	MATERIAL	N PCS
13	STEM NUT	SS304	2
14	STEM WASHER	SS304	1
15	HANDLE	SS304	1
16	LOCKING DEVICE	SS304	1
17	HANDLE SLEEVE	VINYL	1
18	BOLT	SS304	4
19	BOLT NUT	SS304	4
20	BOLT WASHER	SS304	4
21	STOP PIN	SS304	1
22	PIN NUT	SS304	1
23	WASHER	SS304	1

DIMENSIONS

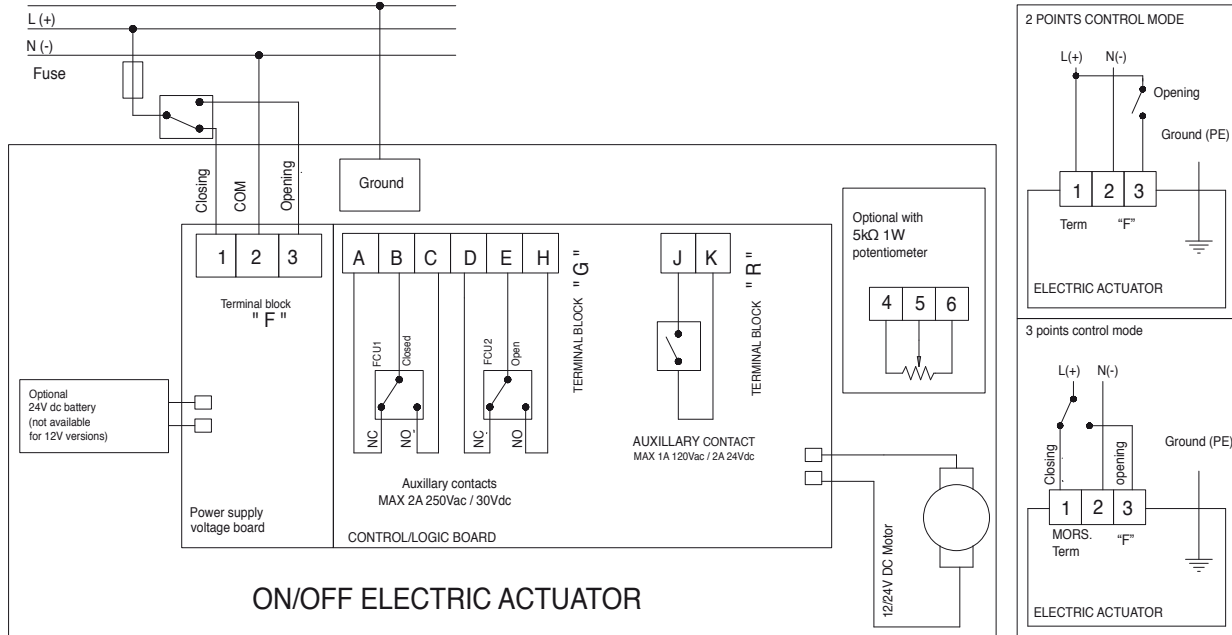


Size	A	B	C	D	E	F	G	H	ACT.
1/2"	0.37	9.12	8.62	5.37	6.10	3.63	2.47	3.50	VB015M
3/4"	0.62	9.41	8.85	5.37	6.10	3.63	2.47	4.00	VB015M
1"	0.87	10.72	10.05	6.34	7.36	2.48	4.88	4.50	VB030M
1-1/2"	1.37	12.63	11.71	6.93	7.76	2.48	5.28	5.51	VB060M
2"	1.87	13.02	12.01	6.93	7.76	2.48	5.28	6.25	VB060M
2-1/2"	2.37	15.23	13.95	10.63	10.48	6.50	3.98	6.85	VB110M
3"	2.87	15.70	14.31	10.63	10.48	6.50	3.98	7.60	VB110M
4" *	3.83	16.45	14.89	10.63	10.48	6.50	3.98	8.89	VB190M

* available only on -02* model

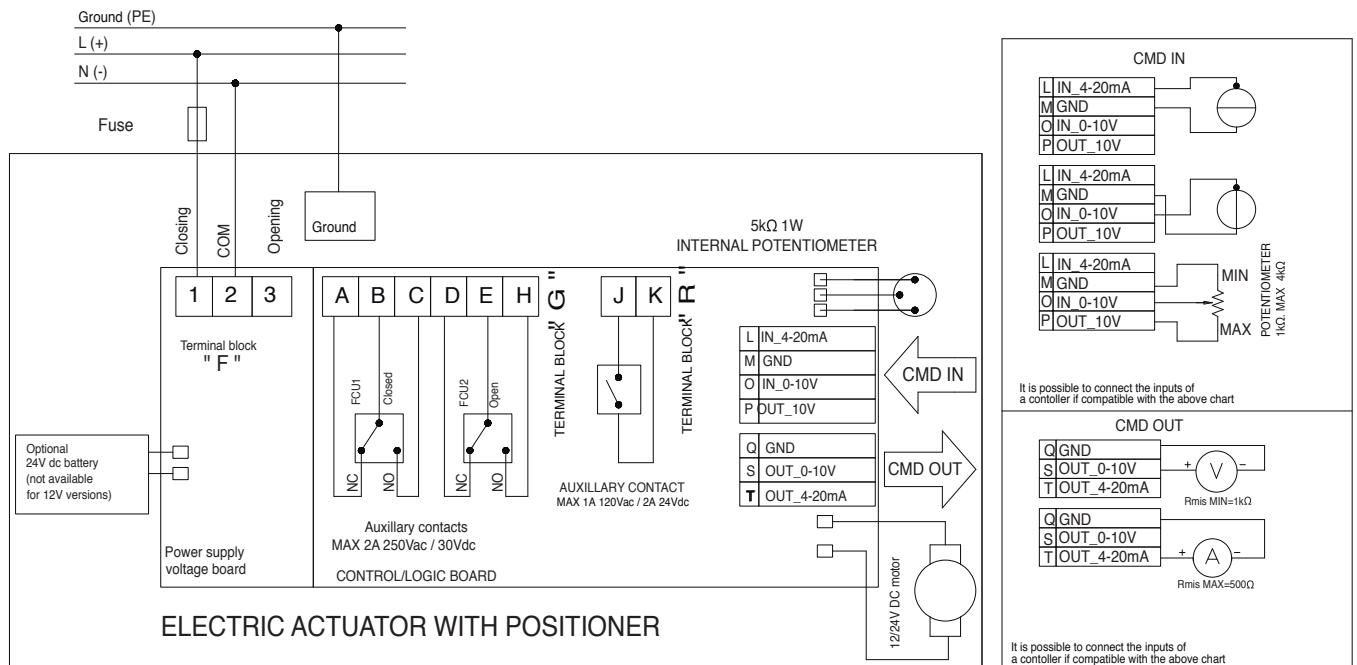
ON/OFF WIRING DIAGRAM

12V AC/DC, 24V AC/DC & 100-240VAC



POSITIONER WIRING DIAGRAM

12V AC/DC, 24V AC/DC & 100-240VAC



The power supply COM signal (pin "2" terminal block "F") cannot share the same electrical command ground signal (pin "GND" terminal block "CDM IN") or feedback ground signal (pin "GND" terminal block "CDM OUT").

CV VERSUS VALVE PERCENTAGE OPEN

Size	V-Ball Angle	Class VI S/O	Low %	Control Zone								Full Open
				0%	10%	20%	30%	40%	50%	60%	70%	
1/2"	30°	0.00	0.00	0.03	0.11	0.31	0.50	0.92	1.34	1.85	2.67	3.26
	60°	0.00	0.00	0.06	0.14	0.40	0.69	1.21	1.92	2.86	4.84	7.79
	90°	0.00	0.00	0.06	0.16	0.48	0.85	1.53	2.51	4.06	6.77	10.70
3/4"	30°	0.00	0.00	0.06	0.24	0.69	1.13	2.07	3.02	4.17	6.00	7.32
	60°	0.00	0.00	0.13	0.31	0.89	1.56	2.73	4.31	6.43	10.89	17.53
	90°	0.00	0.00	0.14	0.37	1.13	1.98	3.53	5.86	8.93	15.62	26.31
1"	30°	0.00	0.00	0.11	0.42	1.23	2.01	3.68	5.38	7.41	10.66	13.02
	60°	0.00	0.00	0.24	0.55	1.59	2.77	4.86	7.66	11.43	19.36	31.16
	90°	0.00	0.00	0.30	0.72	2.07	3.63	6.52	10.69	16.57	28.92	48.95
1-1/2"	30°	0.00	0.00	0.74	2.09	3.47	6.13	8.35	12.93	18.87	28.77	40.84
	60°	0.00	0.00	0.61	1.74	3.27	7.45	10.31	16.52	31.06	48.26	79.82
	90°	0.00	0.00	0.97	2.03	3.96	9.13	13.27	22.31	43.31	70.82	130.16
2"	30°	0.00	0.00	1.31	3.71	6.16	10.89	14.85	22.99	33.55	51.15	72.60
	60°	0.00	0.00	1.09	3.10	5.81	13.24	18.34	29.37	55.22	85.80	141.90
	90°	0.00	0.00	1.04	3.64	7.11	16.46	24.50	41.37	83.67	133.78	243.02
2-1/2"	30°	0.00	0.00	2.14	6.06	10.06	17.79	24.26	37.55	54.80	83.55	118.59
	60°	0.00	0.00	1.78	5.07	9.49	21.63	29.95	47.98	90.20	140.16	231.80
	90°	0.00	0.00	2.36	7.02	12.99	29.97	42.85	71.86	141.57	230.24	423.69
3"	30°	0.00	0.00	2.84	7.52	15.60	25.49	37.16	54.90	76.23	108.40	141.89
	60°	0.00	0.00	3.60	11.73	21.36	33.25	53.10	96.62	144.55	233.32	360.96
	90°	0.00	0.00	4.64	15.49	29.40	46.12	75.73	144.02	222.73	385.54	658.35
4"	30°	0.00	0.00	5.27	13.95	28.94	47.28	68.93	101.84	141.41	201.08	263.21
	60°	0.00	0.00	6.68	21.75	36.92	61.68	98.51	179.24	268.15	432.83	669.60
	90°	0.00	0.00	8.40	28.29	52.36	83.74	137.57	261.50	405.31	703.95	1241.30