



JOB NAME:	CONTRACTOR:
JOB LOCATION:	APPROVAL:
ENGINEER:	CONTRACTOR P.O.:
APPROVAL:	REPRESENTATIVE:

ME511SL-00*

FULL PORT SAFETY EXHAUST STAINLESS STEEL BALL VALVE WITH NPT ENDS WITH VALBIA METAL ELECTRIC ACTUATOR AND BRACKET

SIZES 1/2" TO 3/4"

*001	12V AC/DC	*002	24V AC/DC	*003	100-240V AC
01	BATTERY BACKUP	*02*	POSITIONER	*04*	BATTERY BACKUP W POSITIONER

SPECIFICATIONS

The ME511SL series electric package features a stainless-steel safety exhaust ball valve with a 1/4" NPT exhaust port that can easily piped to a drain for safety.

The valve when the handle is turned to the off position, it is designed to release air downstream to avoid air pressure build up to a tool or similar device. A stainless-steel muffler, series SSBM-2, can be added to reduce the noise level of the exhaust port.

The Heavy duty electric actuator is made from a die cast aluminum housing and is standardly available in multiple voltages, two extra switches, heater and thermostat, and manual override.

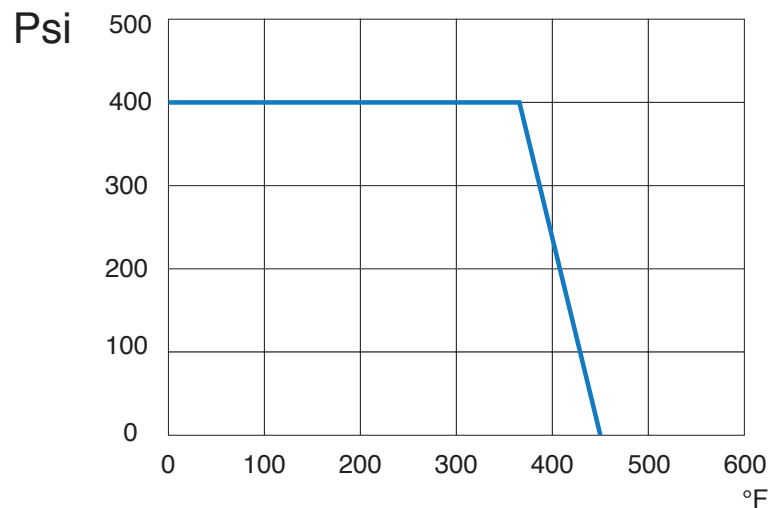
ACTUATOR FEATURES

- Dual Voltages
- CSA, UL approved
- 24V AC/DC and 100-240V AC Models Available
- ISO 5211 dual patterns
- 75% Duty Cycle
- Anti-condensation heater, (when red wire is connected to power)
- High-Strength, Die Cast Aluminum Powder Coated Housing
- Temperature Range -4°F to 131°F
- NEMA 4 Housing
- Two Auxiliary Switches Standard
- Torque limiter standard
- 1/2" conduit connection

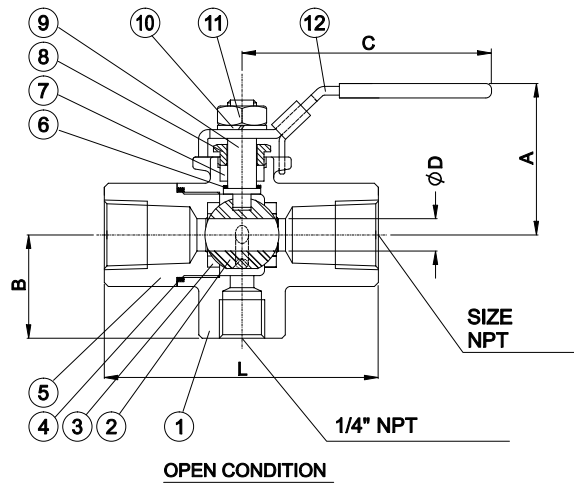
VALVE FEATURES

- Full Port, sizes 1/2" to 3/4
- Working pressure - 400 psi air service
- Temperature range: -20°F to 450°F
- CF8M body
- ANSI B1.20.1 thread depths
- Blow-out proof stem design
- Locking lever standard (Optional oval handle)
- TFM 4215 seats
- 100% air tested under water at 80 psi

PRESSURE - TEMPERATURE CHART FOR SERIES 511SL

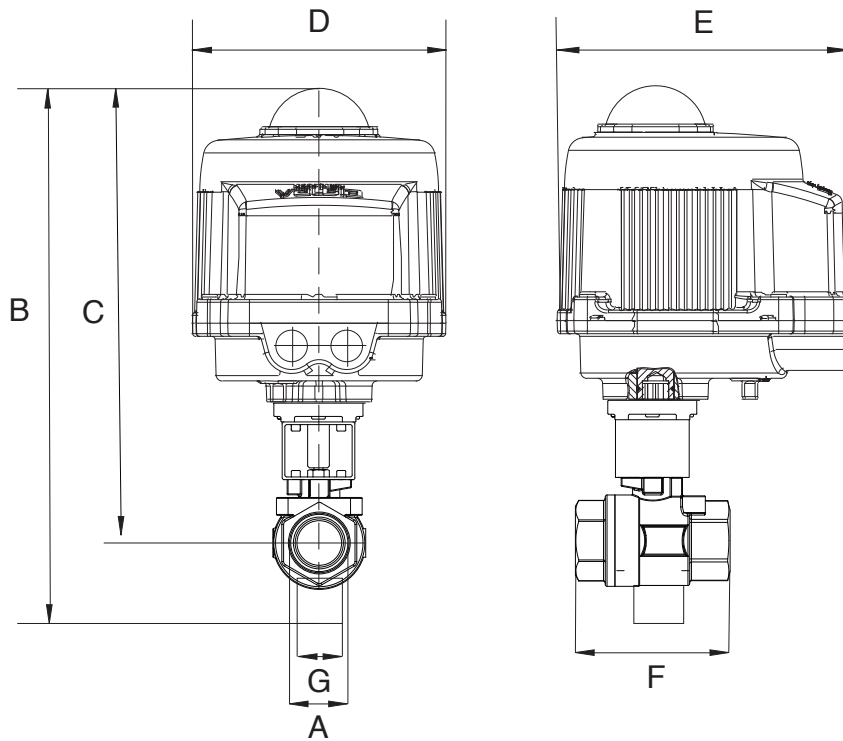


BILL OF MATERIALS FOR 511SL



N POS	PART NAME	MATERIAL	N PCS
1	BODY	CF8M	1
2	BALL	SS 316	1
3	SEAT	TFM 4215 / PEEK	2
4	GASKET	GRAPHITE	1
5	END CAP	CF8M	1
6	THRUST WASHER	TFM 4215 / PEEK	1
7	STEM PACKING	GRAPHITE	1
8	GLAND	SS 304	1
9	STEM	SS 316	1
10	DISC WASHER	SS 301	1
11	HANDLE NUT	SS 304	1
12	HANDLE	SS 304	1
13	SLEEVE	PLASTIC	1

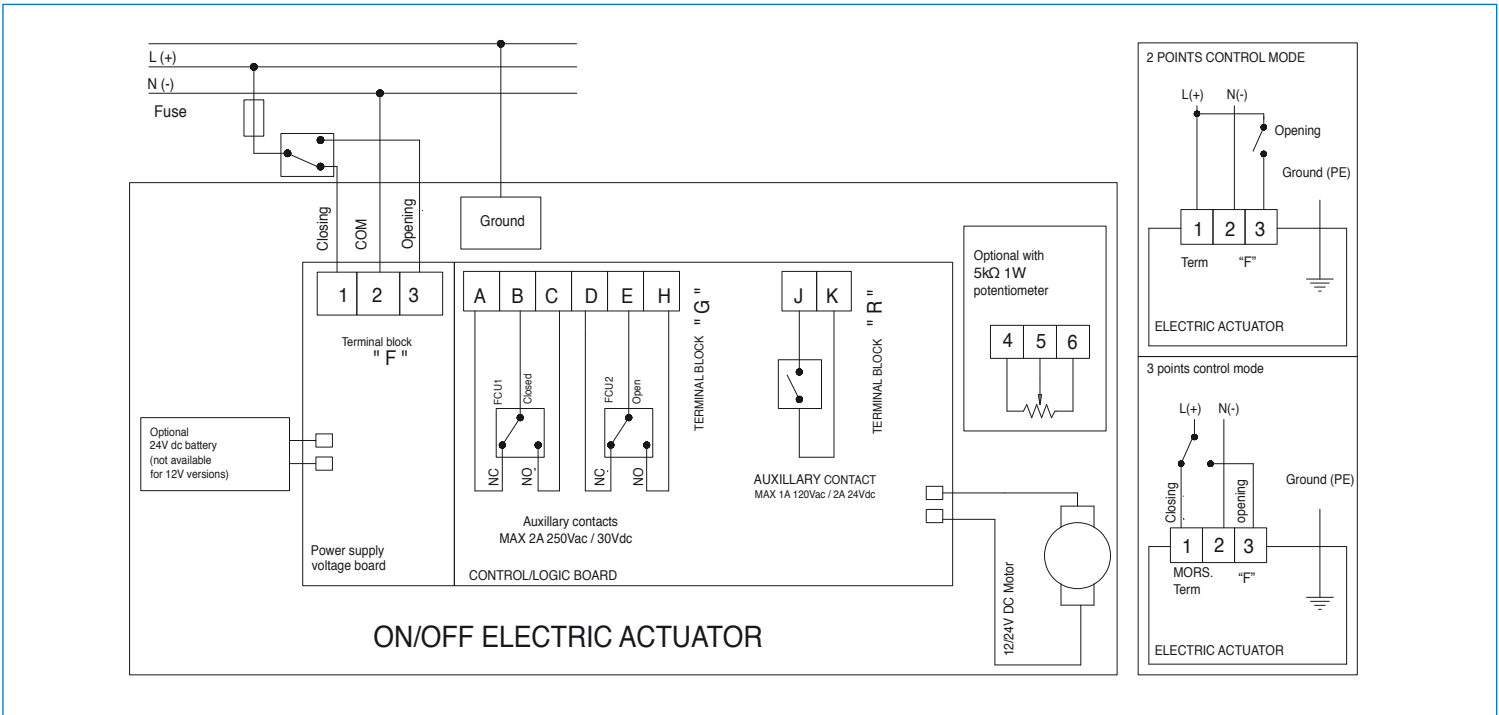
DIMENSIONS



Size	A	B	C	D	E	F	G	Act.
1/2"	0.50	11.18	9.81	6.34	7.36	2.78	0.875	VB030M
3/4"	0.75	11.33	9.96	6.34	7.36	2.93	0.875	VB030M

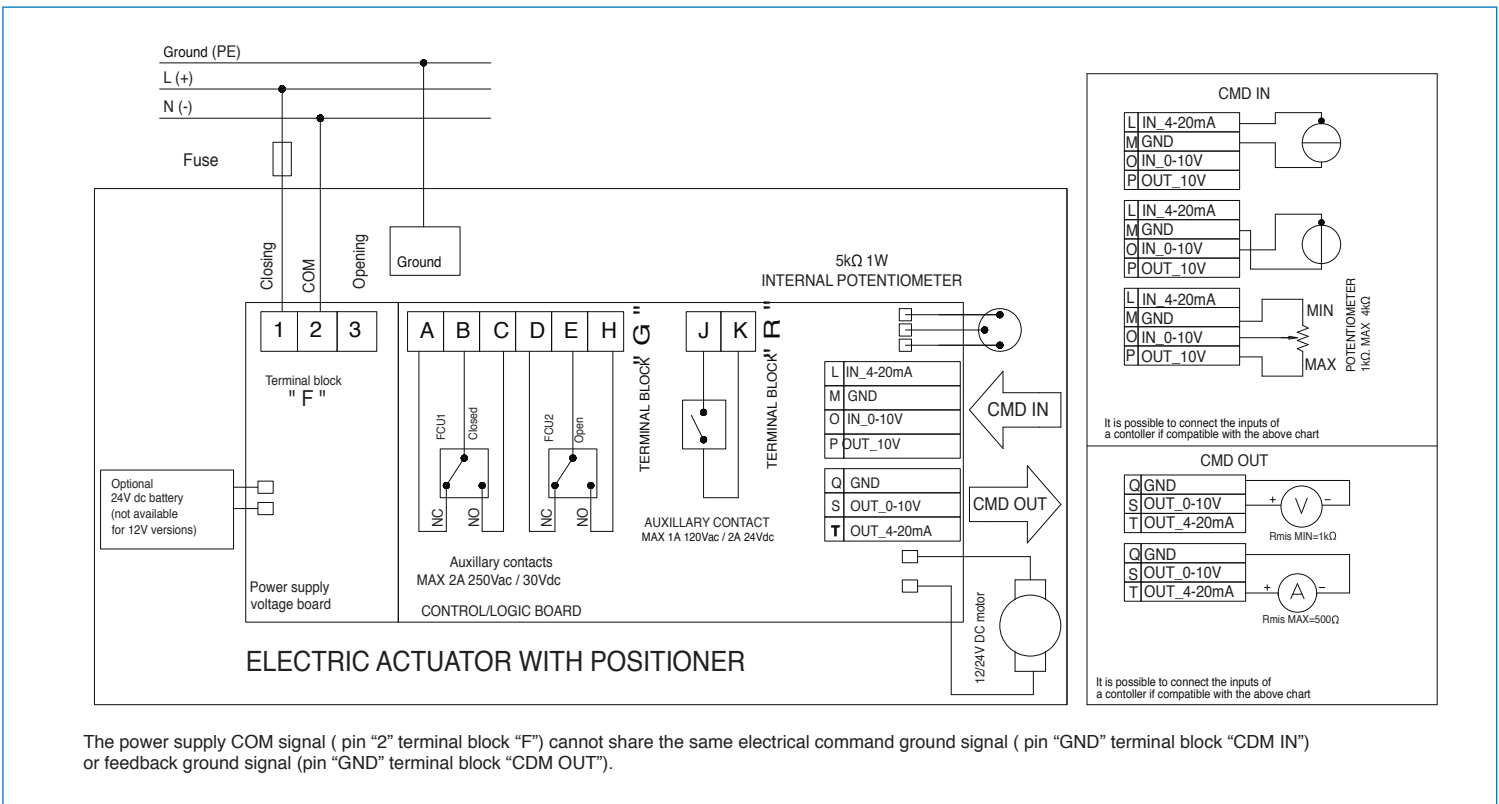
ON/OFF WIRING DIAGRAM - VB030M

12V AC/DC, 24V AC/DC & 100-240VAC



POSITIONER WIRING DIAGRAM - VB030M

12V AC/DC, 24V AC/DC & 100-240VAC



The power supply COM signal (pin "2" terminal block "F") cannot share the same electrical command ground signal (pin "GND" terminal block "CDM IN") or feedback ground signal (pin "GND" terminal block "CDM OUT").