

JOB NAME:	CONTRACTOR:
JOB LOCATION:	APPROVAL:
ENGINEER:	CONTRACTOR P.O.:
APPROVAL:	REPRESENTATIVE:

PP720370V36DA 30-60°
PP720370V6DA 60°
PP720370V9DA 90°

720370V36/V6/V9, 2-WAY STAINLESS STEEL, ANSI 150 FLANGED, FIRE -SAFE, WAFER STYLE, FULL PORT BALL VALVE WITH DOUBLE ACTING PNEUMATIC ACTUATOR AND PNEUMATIC PNP-B 3-15 PSI POSITIONER

SIZES 1/2" TO 6"

PP720370V36SR 30-60°
PP720370V6SR 60°
PP720370V9SR 90°

720370V36/V6/V9, 2-WAY STAINLESS STEEL, ANSI 150 FLANGED, FIRE -SAFE, WAFER STYLE, FULL PORT BALL VALVE WITH WITH SPRING RETURN PNEUMATIC ACTUATOR AND PNEUMATIC PNP-B 3-15 PSI POSITIONER

SIZES 1/2" TO 6"

SPECIFICATIONS

The Bonomi PP720370V36/V6/V9 series pneumatic packages feature the Fire-Safe series 720370V made from ASTM A351-CF8M stainless steel, short pattern, wafer full port, ANSI 150 flanged ball valve, in sizes 1/2"-6". It has 25% carbon filled PTFE seats, grounded ball & stem, and a combination PTFE and Viton dual stem packing design.

The Valbia pneumatic actuator comes with a hard-anodized aluminum body, and powder coated end caps. In addition, all Valbia pneumatic actuators are standardly furnished with elevated temperature seals to 302°F. The patented side loaded limit stops never enter the piston chamber eliminating extra possible leak paths. The assembled package also features a compact PNP-B positioner with an input signal of 3-15psig.

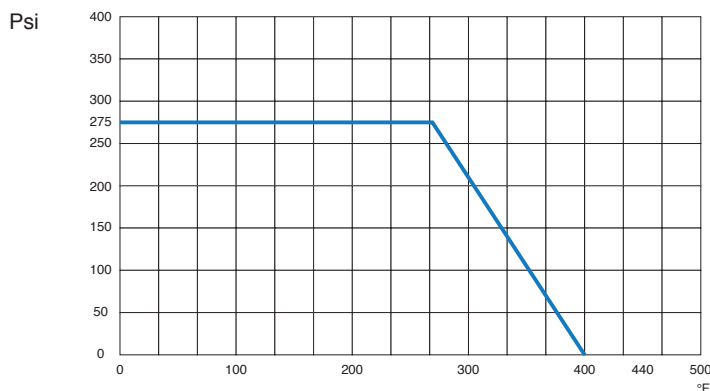
ACTUATOR FEATURES

- Hard anodized extruded aluminum body
- Concentric spring sets
- Die cast aluminum end caps
- Solid steel barstock pinion (not casting)
- 0°-90° rotation adjustment cam
- 0°-90° rotation adjustment bolts
- POM piston guides
- Minimum air pressure rating: 80 psi
- Maximum air pressure rating: 116 psi
- Working temperature: -4°F - 302°F
- No lubrication maintenance required for the entire actuator lifetime
- 100% factory tested

VALVE FEATURES

- Stainless Steel, ANSI class 150 flanged
- Full port, sizes 1/2" to 6"
- Blow out proof stem
- Fire-safe approved with Antistatic stem device
- 25% carbon filled P.T.F.E ball seats.
- P.T.F.E. packing and thrust washer
- Space saving design
- 100% tested
- TUV T.A. Luft approved
- ANSI B16.34 design
- ISO 5211 mounting pad with double "D" stem
- Temperature range: -4° F to 450° F.

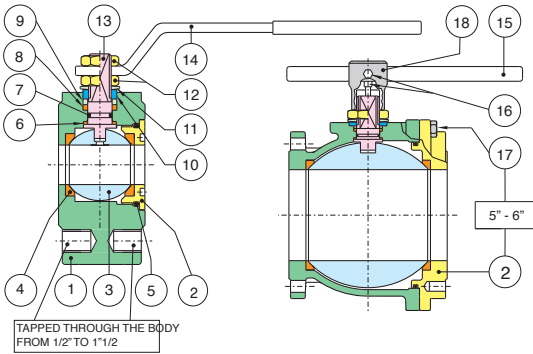
PRESSURE - TEMPERATURE CHART FOR SERIES 720370V36/V6/V9



PP720370V * DA - PP720370V * SR V-BALL SERIES MODEL OPTIONS

	90° V-BALL PP720370V9DA PP720370V9SR
	60° V-BALL PP720370V6DA PP720370V6SR
	30-60° V-BALL PP720370V36DA PP720370V36SR

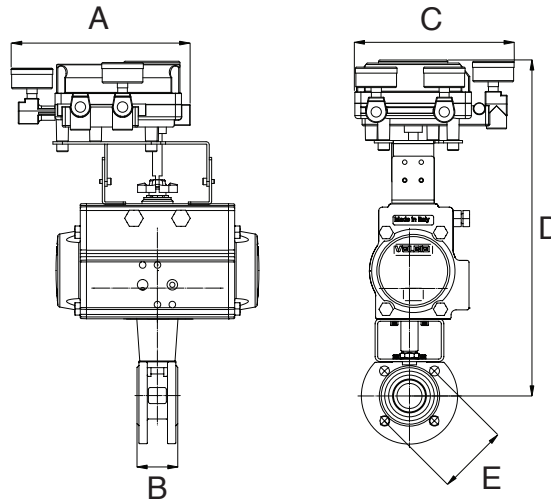
BILL OF MATERIALS FOR 720370V36/V6/V9



N POS	PART NAME	MATERIAL	N POS
1	BODY	A479-316/A351 CF8M	1
2	END CONNECTION	A479-316/A351 CF8M	1
3	BALL	A479-316/A351 CF8M	1
4	BALL SEATS	25% CARBON FILLED P.T.F.E.	2
5	O-RING	FKM (Viton®)	1
6	THRUST WASHER	P.T.F.E.	1
7	RING	FKM (Viton®)	1
8	STEM SEAL	GRAPHOIL	1
9	PACKING GLAND	STEEL	1
10	END STOP	AISI 430 (1/2" - 2") STEEL (2-1/2" - 6")	2 1

N POS	PART NAME	MATERIAL	N POS
11	SPRING WASHER	STEEL	2
12	NUT	STEEL	2
13	STEM	AISI 304	1
14	HANDLE	STEEL	1
15	HANDLE DN 150-200	STEEL	1
16	SCREW	STEEL	2
17	SCREW	STEEL	8-12
18	BODY HANDLE DN150-200	CAST IRON	1
19	UNSCREWING GROWER	A182-F316	1

DIMENSIONS



PP720370V36DA 720370V36 with **DA** Actuator & PNP-B Positioner
PP720370V6DA 720370V6 with **DA** Actuator & PNP-B Positioner
PP720370V9DA 720370V9 with **DA** Actuator & PNP-B Positioner

PP720370V36SR 720370V36 with **SR** Actuator & PNP-B Positioner
PP720370V6SR 720370V6 with **SR** Actuator & PNP-B Positioner
PP720370V9SR 720370V9 with **SR** Actuator & PNP-B Positioner

Size	A	B	C	D	E ANSI	ACT. DA
1/2"	7.32	1.37	6.55	10.19	150	32
3/4"	7.32	1.57	6.55	11.80	150	52
1"	7.32	1.81	6.55	12.03	150	52
1-1/2"	7.32	2.50	6.55	12.95	150	63
2"	7.32	3.22	6.55	13.99	150	75
3"	7.32	4.80	6.55	15.50	150	85
4"	7.32	5.98	6.55	16.65	150	100
6"	7.32	9.13	6.55	19.96	150	125

Size	A	B	C	D	E ANSI	ACT. SR
1/2"	7.32	1.37	6.55	11.63	150	52
3/4"	7.32	1.57	6.55	12.25	150	63
1"	7.32	1.81	6.55	12.48	150	63
1-1/2"	7.32	2.50	6.55	14.21	150	85
2"	7.32	3.22	6.55	14.54	150	85
3"	7.32	4.80	6.55	17.45	150	125
4"	7.32	5.98	6.55	18.09	150	125
6"	7.32	9.13	6.55	21.79	150	160

CV VERSUS VALVE OPENING PERCENTAGE

Size	Degree	10%	20%	30%	40%	50%	60%	70%	80%	90%
1/2"	30-60°	0	0.0	0.1	0.2	0.4	0.6	1.0	1.7	3
	60°	0	0.1	0.2	0.4	0.7	1.2	1.9	3.3	6
	90°	0	0.1	0.3	0.7	1.2	2.0	3.4	5.9	10
3/4"	30-60°	0	0.1	0.2	0.5	0.8	1.3	2.2	3.9	6
	60°	0	0.1	0.4	0.9	1.5	2.6	4.3	7.5	12
	90°	0	0.3	0.8	1.6	2.7	4.6	7.7	13.3	22
1"	30-60°	0	0.1	0.4	0.8	1.4	2.4	4.0	6.9	11
	60°	0	0.3	0.8	1.6	2.7	4.6	7.7	13.4	22
	90°	0	0.5	1.4	2.8	4.9	8.2	13.7	23.7	39
1-1/2"	30-60°	0	0.3	1.0	2.0	3.5	5.9	9.8	17.0	28
	60°	0	0.7	2.0	4.0	7.1	11.9	20.0	34.5	57
	90°	0	1.1	3.3	6.6	11.6	19.5	32.6	56.4	93
2"	30-60°	0	0.5	1.5	3.1	5.5	9.2	15.4	26.7	44
	60°	0	1.1	3.1	6.3	11.1	18.7	31.2	54.0	89
	90°	0	2.0	6.0	12.0	21.2	35.6	59.5	102.9	170
3"	30-60°	0	1.3	3.9	7.8	13.8	23.2	38.9	67.2	111
	60°	0	2.7	7.9	16.0	28.2	47.4	79.3	137.1	227
	90°	0	4.7	13.6	27.3	48.1	80.9	135.4	234.1	387
4"	30-60°	0	2.1	6.1	12.3	21.6	36.3	60.8	105.2	174
	60°	0	4.3	12.4	25.0	44.1	74.1	124.1	214.5	355
	90°	0	8.1	23.6	47.5	88.8	140.8	235.7	407.50	675
6"	30-60°	0	4.7	13.7	27.6	28.7	81.9	137.0	236.9	392.0
	60°	0	9.6	28.0	56.3	99.3	166.8	279.3	482.8	799.0
	90°	0	17.7	51.6	103.8	183.1	307.6	514.9	890.2	1473.0