



JOB NAME:	CONTRACTOR:
JOB LOCATION:	APPROVAL:
ENGINEER:	CONTRACTOR P.O.:
APPROVAL:	REPRESENTATIVE:

PP771V3DA	30°	PP771V3SR	30°
PP771V6DA	60°	PP771V6SR	60°
PP771V9DA	90°	PP771V9SR	90°

771V3/V6/V9, 3-PC DIRECT MOUNT, 2-WAY STAINLESS STEEL V-BALL VALVE, SANITARY CONNECTION, CAVITY FILLED BALL VALVE WITH DOUBLE ACTING PNEUMATIC ACTUATOR AND PNEUMATIC PNP-B 3-15 PSI POSITIONER
SIZES 1/2" TO 4"

771V3/V6/V9, 3-PC DIRECT MOUNT, 2-WAY STAINLESS STEEL V-BALL VALVE, SANITARY CONNECTION, CAVITY FILLED BALL VALVE WITH SPRING RETURN PNEUMATIC ACTUATOR AND PNEUMATIC PNP-B 3-15 PSI POSITIONER
SIZES 1/2" TO 4"

SPECIFICATIONS

The Bonomi PP771V3/PP771V6/PP771V9 series pneumatic actuated packages feature the 771 cavity filled three-piece V-Port stainless steel ball valves with sanitary connections. The valve series are ISO 5211 direct mount, and come with a grounded ball and stem, and a Ra 15 finish. A grounded ball & stem is standard.

The Valbia pneumatic actuator comes with a hard-anodized aluminum body, and powder coated end caps. In addition, all Valbia pneumatic actuators are standardly furnished with elevated temperature seals to 302°F. The patented side loaded limit stops never enter the piston chamber eliminating extra possible leak paths. The assembled package also features a compact PNP-B positioner with an input signal of 3-15psig.

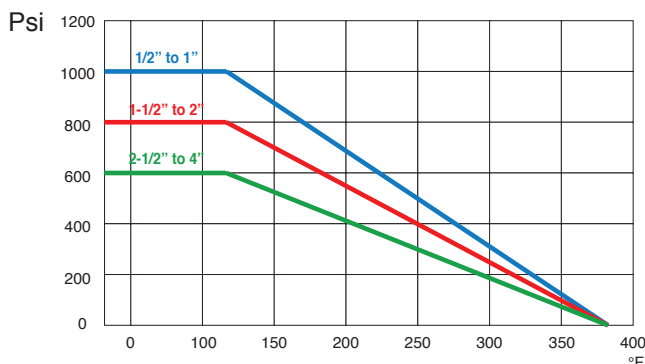
ACTUATOR FEATURES

- Hard anodized extruded aluminum body
- Concentric spring sets
- Die cast aluminum end caps
- Solid steel barstock pinion (not casting)
- 0°-90° rotation adjustment cam
- 0°-90° rotation adjustment bolts
- POM piston guides
- Minimum air pressure rating: 80 psi
- Maximum air pressure rating: 116 psi
- Working temperature: -4°F - 302°F
- No lubrication maintenance required for the entire actuator lifetime
- 100% factory tested




VALVE FEATURES

- Stainless Steel, 3 Piece Direct Mount
- Full port, sizes 1/2" to 4"
- Cavity Filled
- ISO 5211 mounting pad with double "D" stem
- Temperature range -20°F to 450°F
- Working pressure 1000 psi WOG (1/2" to 1")
800 psi WOG (1-1/2" to 2")
600 psi WOG (2-1/2" to 4")
- Blow-out proof stem
- Anti-static Device
- International polishing to Ra 15 micron
- Tri-clamp style end connections
- Ball valves comply with standards: ISO 5211, ANSI B16.11, MSS SP-25, MSS SP-55
- Maintenance free live loaded double sealing stem

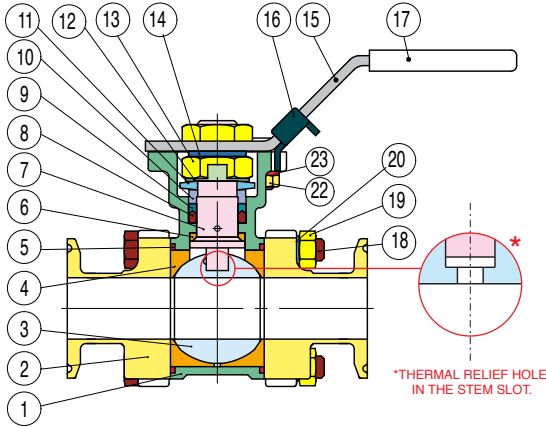
PRESSURE TEMPERATURE CHART FOR 771V3/771V6/771V9



V-BALL SERIES MODEL OPTIONS

	90° V-BALL
	PP771V9
	60° V-BALL
	PP771V6
	30° V-BALL
	PP771V3

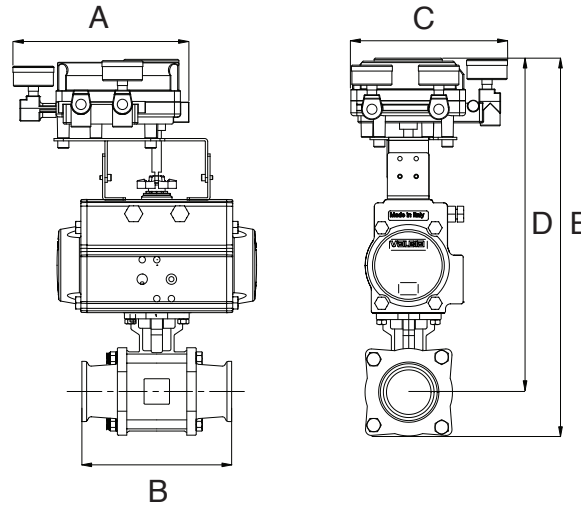
BILL OF MATERIALS FOR 771V3/771V6/771V9



N POS	PART NAME	MATERIAL	N PCS
1	BODY	CF8M	1
2	END CONNECTION	CF8M	2
3	BALL	SS316L	1
4	SEATS	P.T.F.E.	2
5	JOINT GASKET	P.T.F.E.	2
6	STEM SEAL	R.P.T.F.E.	1
7	STEM	SS316L	1
8	GLAND PACKING	P.T.F.E.	2
9	GLAND PACKING	P.T.F.E. + GLASS	1
10	GLAND BUSH	SS304	1
11	BELLEVILLE WASHER	SS301	2
12	STOP WASHER	SS304	1

N POS	PART NAME	MATERIAL	N PCS
13	STEM NUT	SS304	2
14	STEM WASHER	SS304	1
15	HANDLE	SS304	1
16	LOCKING DEVICE	SS304	1
17	HANDLE SLEEVE	VINYL	1
18	BOLT	SS304	4
19	BOLT NUT	SS304	4
20	BOLT WASHER	SS304	4
21	STOP PIN	SS304	1
22	PIN NUT	SS304	1
23	WASHER	SS304	1

DIMENSIONS



PP771V3DA

WITH DOUBLE ACTING ACTUATOR

PP771V6DA

WITH DOUBLE ACTING ACTUATOR

PP771V9DA

WITH DOUBLE ACTING ACTUATOR

SIZE	A	B	C	D	E	ACT.
1/2"	6.55	3.50	6.99	9.83	10.33	DA52V
3/4"	6.55	4.00	6.99	9.83	10.33	DA52V
1"	6.55	4.50	6.99	9.83	10.33	DA52V
1-1/2"	6.55	5.51	6.99	10.28	10.78	DA63V
2"	6.55	6.25	6.99	10.99	11.49	DA75V
2-1/2"	6.55	6.85	6.99	10.99	11.49	DA75V
3"	6.55	7.60	6.99	11.54	12.04	DA85V
4"	6.55	8.89	6.99	12.04	12.54	DA100V

PP771V3SR

WITH SPRING RETURN ACTUATOR

PP771V6SR

WITH SPRING RETURN ACTUATOR

PP771V9SR

WITH SPRING RETURN ACTUATOR

SIZE	A	B	C	D	E	ACT.
1/2"	6.55	3.50	6.99	9.83	10.33	SR52V/04
3/4"	6.55	4.00	6.99	10.28	10.78	SR63V/04
1"	6.55	4.50	6.99	10.99	11.49	SR75V
1-1/2"	6.55	5.51	6.99	11.54	12.04	SR85V
2"	6.55	6.25	6.99	12.04	12.54	SR100V
2-1/2"	6.55	6.85	6.99	13.40	13.90	SR115V
3"	6.55	7.60	6.99	13.88	14.38	SR125V
4"	6.55	8.89	6.99	13.88	14.38	SR125V

CV VERSUS VALVE PERCENTAGE OPEN

Size	V-Ball Angle	Class VI S/O	Low %	Control Zone								Full Open
				0%	10%	20%	30%	40%	50%	60%	70%	
1/2"	30°	0.00	0.00	0.03	0.11	0.31	0.50	0.92	1.34	1.85	2.67	3.26
	60°	0.00	0.00	0.06	0.14	0.40	0.69	1.21	1.92	2.86	4.84	7.79
	90°	0.00	0.00	0.06	0.16	0.48	0.85	1.53	2.51	4.06	6.77	10.70
3/4"	30°	0.00	0.00	0.06	0.24	0.69	1.13	2.07	3.02	4.17	6.00	7.32
	60°	0.00	0.00	0.13	0.31	0.89	1.56	2.73	4.31	6.43	10.89	17.53
	90°	0.00	0.00	0.14	0.37	1.13	1.98	3.53	5.86	8.93	15.62	26.31
1"	30°	0.00	0.00	0.11	0.42	1.23	2.01	3.68	5.38	7.41	10.66	13.02
	60°	0.00	0.00	0.24	0.55	1.59	2.77	4.86	7.66	11.43	19.36	31.16
	90°	0.00	0.00	0.30	0.72	2.07	3.63	6.52	10.69	16.57	28.92	48.95
1-1/2"	30°	0.00	0.00	0.74	2.09	3.47	6.13	8.35	12.93	18.87	28.77	40.84
	60°	0.00	0.00	0.61	1.74	3.27	7.45	10.31	16.52	31.06	48.26	79.82
	90°	0.00	0.00	0.97	2.03	3.96	9.13	13.27	22.31	43.31	70.82	130.16
2"	30°	0.00	0.00	1.31	3.71	6.16	10.89	14.85	22.99	33.55	51.15	72.60
	60°	0.00	0.00	1.09	3.10	5.81	13.24	18.34	29.37	55.22	85.80	141.90
	90°	0.00	0.00	1.04	3.64	7.11	16.46	24.50	41.37	83.67	133.78	243.02
2-1/2"	30°	0.00	0.00	2.14	6.06	10.06	17.79	24.26	37.55	54.80	83.55	118.59
	60°	0.00	0.00	1.78	5.07	9.49	21.63	29.95	47.98	90.20	140.16	231.80
	90°	0.00	0.00	2.36	7.02	12.99	29.97	42.85	71.86	141.57	230.24	423.69
3"	30°	0.00	0.00	2.84	7.52	15.60	25.49	37.16	54.90	76.23	108.40	141.89
	60°	0.00	0.00	3.60	11.73	21.36	33.25	53.10	96.62	144.55	233.32	360.96
	90°	0.00	0.00	4.64	15.49	29.40	46.12	75.73	144.02	222.73	385.54	658.35
4"	30°	0.00	0.00	5.27	13.95	28.94	47.28	68.93	101.84	141.41	201.08	263.21
	60°	0.00	0.00	6.68	21.75	36.92	61.68	98.51	179.24	268.15	432.83	669.60
	90°	0.00	0.00	8.40	28.29	52.36	83.74	137.57	261.50	405.31	703.95	1241.30