

JOB NAME:	CONTRACTOR:
JOB LOCATION:	APPROVAL:
ENGINEER:	CONTRACTOR P.O.:
APPROVAL:	REPRESENTATIVE:



SERIES **LS2-B-EXN**

NON-CONTACT EXPLOSION PROOF LIMIT SWITCH

FEATURES

- Two (2) SPDT silver-plated snap acting contact switches
- Twin Shaft Design
- Metallic self lubricating bushings
- Aluminum enclosure with thick protective powder coating
- Two (2) 1/2" NPT cable entries standard; Three (3) entries or metric optional
- Multiple indicator options
- Easy wiring through the terminal PCB board
- IP66/67 Protection - NEMA 4/4x on request
- Temperature: -4°C to 176°F

APPROVALS

ATEX, IECEx, EAC, CCOE, INMETRO

Ex 11 2GD Ex db IIB T4/T5/T6 Gb (SX series)
 Ex 11 2GD Ex db IIB + H2 T4/T5/T6 Gb (SH series)
 Ex tb IIC T135/T100/T85°C Db
 Ta: -20°C ≤ Ta ≤ 105°C / 75°C / 60°C

UL

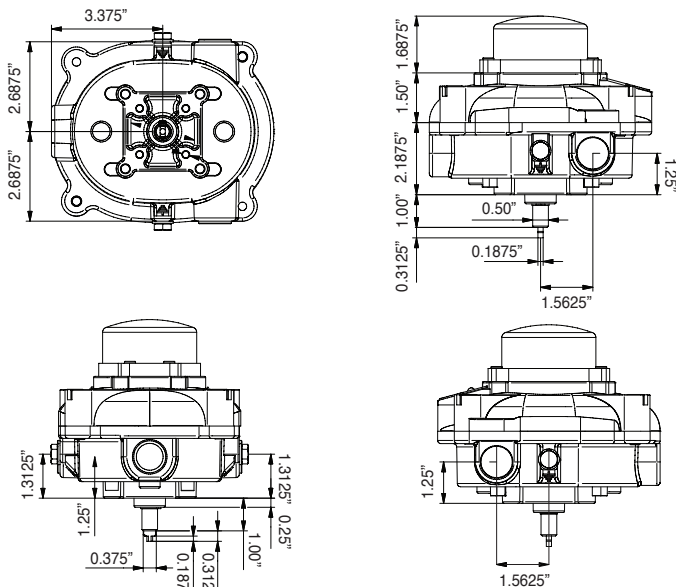
Class I Division 1 Groups C,D Division 2 Groups A,B,C,D
 Class II Division 1 Groups E, F, G Division 2 Groups, F, G

SIL CERTIFICATE

Up to SIL 3 certified TÜV



DIMENSIONS



WIRING DIAGRAM

