

JOB NAME:	CONTRACTOR:
JOB LOCATION:	APPROVAL:
ENGINEER:	CONTRACTOR P.O.:
APPROVAL:	REPRESENTATIVE:



SERIES **LS2-B** LIMIT SWITCH

FEATURES

- Die-Cast Aluminum Body w/ O-Ring sealed
- Sealed with Buna-N - O-Ring
- Dichromate Conversion w/ Polyester Powder Coating
- Double Cable Entry with Two 1/2" NPT
- NAMUR shaft ISO bracket
- IP67, NEMA 4,4x, CSA approved
- 2 SPDT 5A 125-250VAC, 3A 24VDC



VISUAL INDICATOR OPTIONS FOR LS2-B SERIES

ORDERING OPTIONS

Open/Closed	=	LS2-B
L-Port	=	LS2-B-L
T-Port	=	LS2-B-T



LS2-B

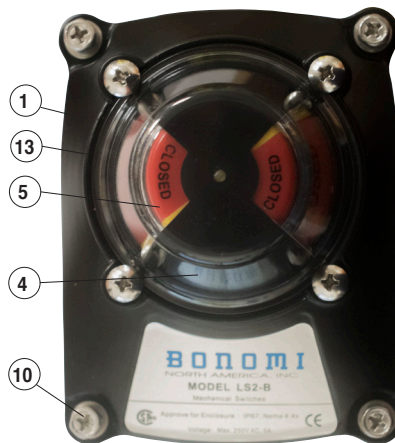
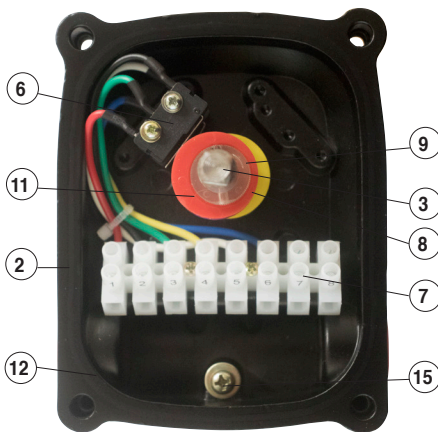


LS2-B-L



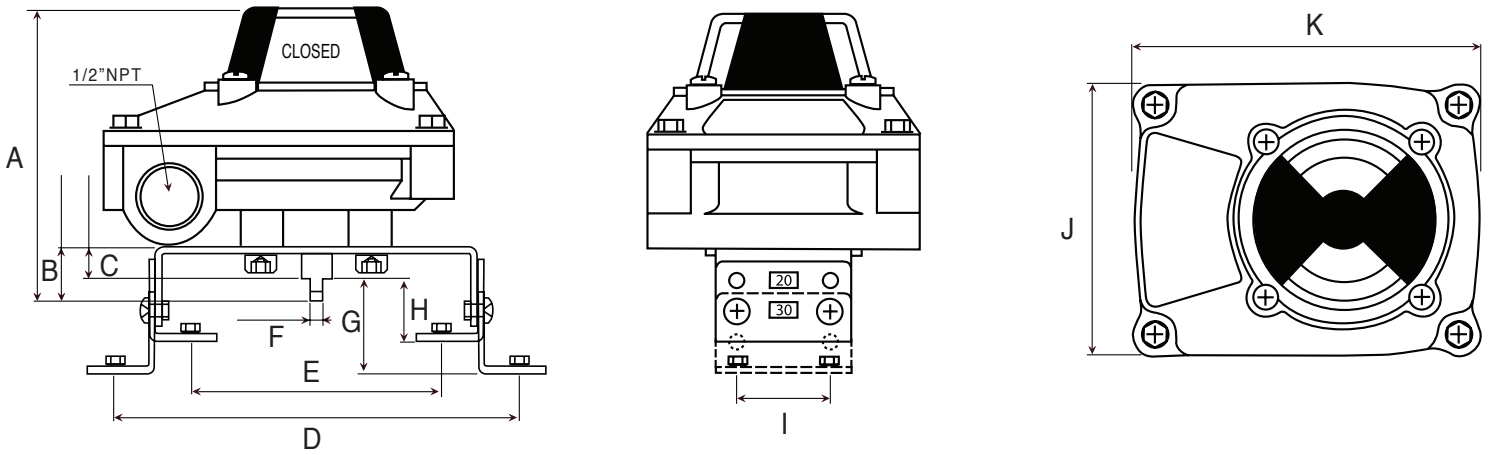
LS2-B-T

BILL OF MATERIALS



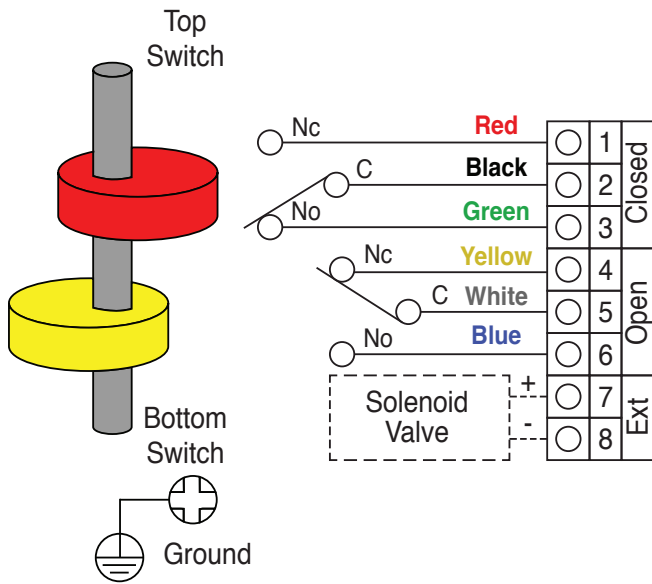
NPOS	PART NAME	MATERIAL	NPCS
1	COVER	ALUMINUM DIE CAST	1
2	BODY	ALUMINUM DIE CAST	1
3	SHAFT	STAINLESS STEEL	1
4	INDICATOR COVER	POLYCARBONATE	1
5	INDICATOR	ABS	1
6	LIMIT SWITCH	MECHANICAL	2
7	TERMINAL STRIP	POLYCARBONATE, TIN PLATED BRASS, SS	8-14
8	CAM	POLYCARBONATE	2
9	SPRING	STAINLESS STEEL	1
10	COVER BOLTS	STAINLESS STEEL	4
11	SHAFT O-RING	NBR	2
12	HOUSING O-RING	NBR	1
13	INDICATOR O-RING	NBR	1
14	BUSHING	BRONZE	1
15	EARTH LUG	STAINLESS STEEL	1
16	E-RING	STAINLESS STEEL	2

DIMENSIONS

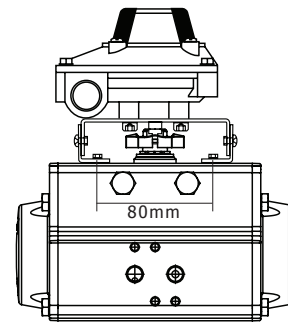


A	B	C	D	E	F	G	H	I	J	K
3.66	0.67	0.39	5.12	3.15	0.16	1.18	0.79	1.18	3.46	4.41

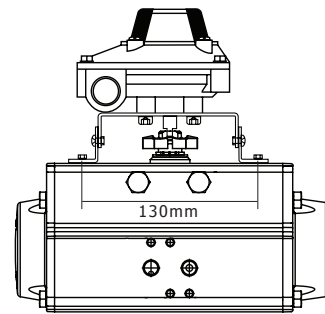
WIRING DIAGRAM



MOUNTING DIAGRAM



DA/SR Actuators to 100mm Bore



DA/SR Actuators 115mm Bore and Above