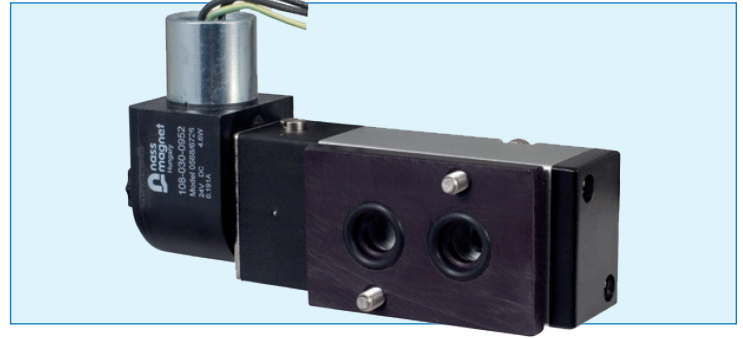
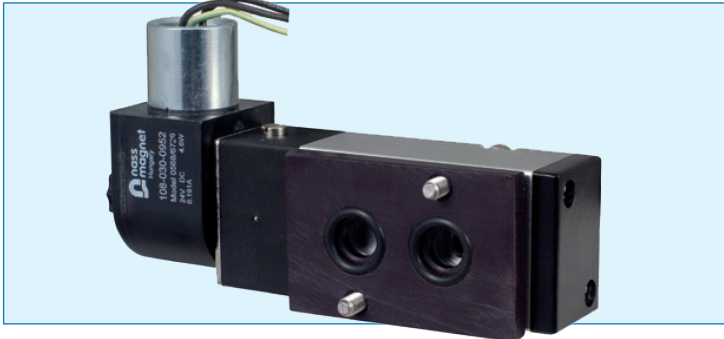


JOB NAME:	CONTRACTOR:
JOB LOCATION:	APPROVAL:
ENGINEER:	CONTRACTOR P.O.:
APPROVAL:	REPRESENTATIVE:



## NMR1-EX\*

### 4-WAY EXPLOSION PROOF CONNECTION

- 4-way single solenoid NAMUR valve
- Cv=1.68
- Ports 1/4" NPT
- Duty cycle 100% continuous
- Pressure range 20 to 120 PSIG
- Temperature range -20°C to 60°C (normal)

## NMR3-EX\*

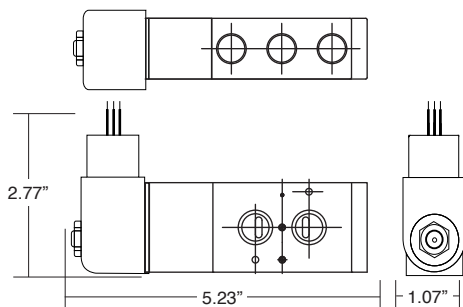
### 3-WAY EXPLOSION PROOF CONNECTION

- 3-way single solenoid NAMUR valve
- Cv=1.68
- Ports 1/4" NPT
- Duty cycle 100% continuous
- Pressure range 20 to 120 PSIG
- Temperature range -20°C to 60°C (normal)

Model	Voltage	In Rush	Power Consumption
NMR1-EX1	120 VAC	74 mA	4.6w
NMR1-EX2	24 VDC	190 mA	4.6w
NMR1-EX12	12 VDC	372 mA	4.6w
NMR1-EX22	220 VAC	36 mA	4.6w

Model	Voltage	In Rush	Power Consumption
NMR3-EX1	120VAC	74 mA	4.6w
NMR3-EX2	24VDC	190 mA	4.6w
NMR3-EX12	12VDC	372 mA	4.6w
NMR3-EX22	220VAC	36 mA	4.6w

### NMR1-EX\* DIMENSIONS



### CSA APPROVALS

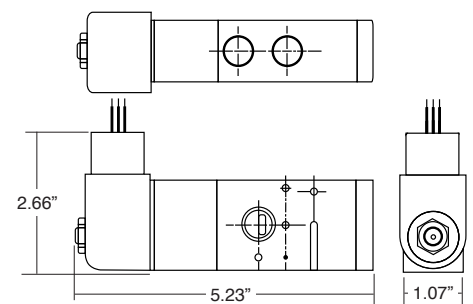


202633 X  
CL.I; Zone 1  
Ex m II T4  
CL.I; Div. 1 & 2; Gr. A, B, C, D  
CL.II;  
CL.III  
T4



APPROVED  
AEx m II  
Gr.E, F, G  
Ta=-20°C...+60°C

### NMR3-EX\* DIMENSIONS



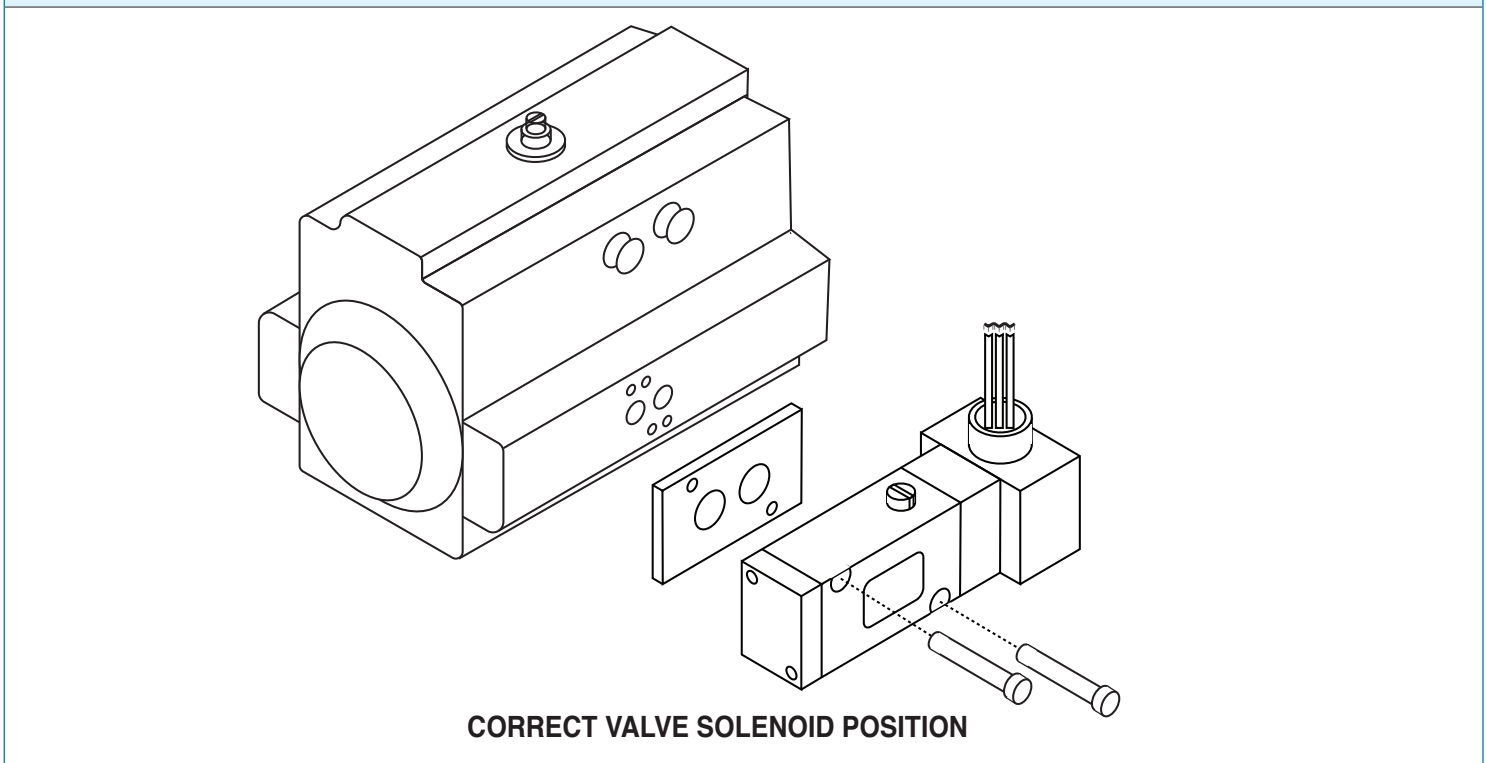
## INSTALLATION OF MATERIAL - SERIES NMR1-EX \*

This following instructions demonstrate the proper 5/2 4-Way NAMUR Solenoid Valve Installation.

**FIGURE 1**



**FIGURE 2**



## INSTALLATION OF MATERIAL - SERIES NMR3-EX \*

This following instructions demonstrate the proper 3/2 3-Way NAMUR Solenoid Valve Installation.

**FIGURE 1**



**FIGURE 2**

