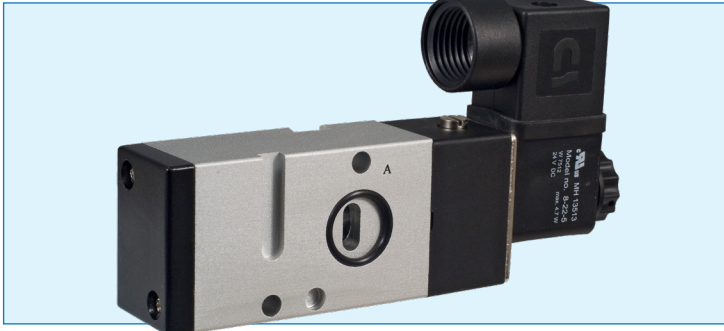


JOB NAME:	CONTRACTOR:
JOB LOCATION:	APPROVAL:
ENGINEER:	CONTRACTOR P.O.:
APPROVAL:	REPRESENTATIVE:



NMR3-C*

3-WAY CONDUIT CONNECTION

- 3-way single solenoid NAMUR valve
- Cv=1.68
- Ports 1/4" NPT
- Duty cycle 100% continuous
- Pressure range 20 to 120 PSIG
- Temperature range 35°F to 130°F (normal)

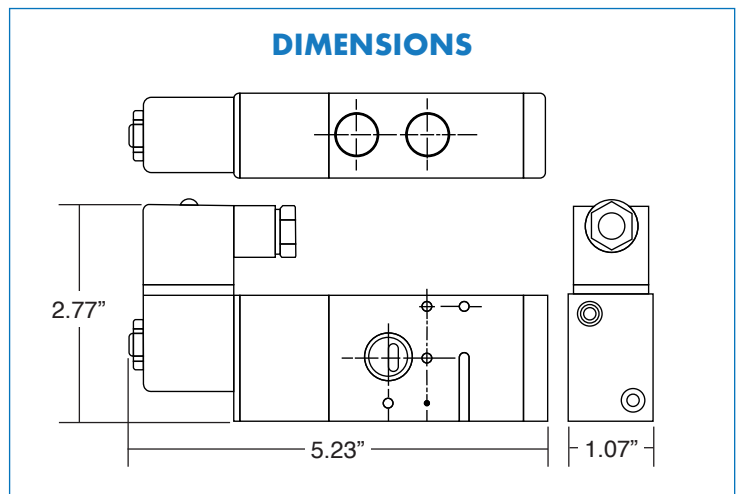
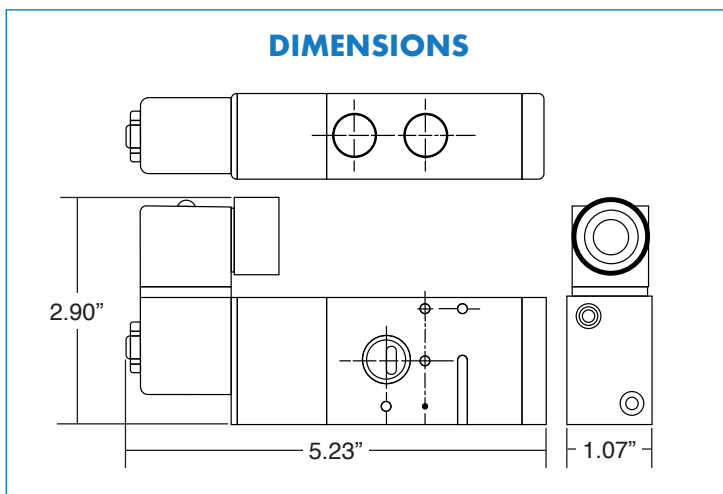
NMR3-D*

3-WAY DIN CONNECTION

- 3-way single solenoid NAMUR valve
- Cv=1.68
- Ports 1/4" NPT
- Duty cycle 100% continuous
- Pressure range 20 to 120 PSIG
- Temperature range 35°F to 130°F (normal)

Model	Voltage	In Rush	Power Consumption
NMR3-C1	110VAC	62 mA	3.5w
NMR3-C2	24VDC	105 mA	3.5w
NMR3-C12	12VDC	204 mA	3.5w
NMR3-C22	220VAC	31 mA	3.5w
NMR3-C24	24VAC	C/F	3.5w

Model	Voltage	In Rush	Power Consumption
NMR3-D1	110VAC	62 mA	3.5w
NMR3-D2	24VDC	105 mA	3.5w
NMR3-D12	12VDC	204 mA	3.5w
NMR3-D22	220VAC	31 mA	3.5w
NMR3-D24	24VAC	C/F	3.5w



INSTALLATION OF MATERIAL - SERIES NMR3

This following instructions demonstrates the proper 3/2 3-Way NAMUR Solenoid Valve Installation.

FIGURE 1



FIGURE 2

